

# carron

---

Carron  
Bathrooms

Trade  
Price List

All prices exclusive of VAT.

# 2023

---

PROUD MEMBER OF:





# Carron Bathrooms

## The Bath Book 2023

Welcome to the Carron Bathrooms Bath Book, incorporating our Trade Price List. Working with feedback from the trade, we've given the catalogue a redesign, giving you even better access to the pricing and technical specifications of the entire Carron Bathrooms range.

Carron have a reputation for quality products and reliable after sales support. With all our baths being available in our patented, Carronite™ material – with a 30 year manufacturer warranty – installing a Carron Bath comes with added peace of mind.

**PRICES SHOWN ARE EXCLUSIVE OF VAT.**

**The product pages in this Bath Book come with a series of icons showing the optional extras available for each model.**

### CARRONITE™

Carronite™ is Carron's unique patented manufacturing process. Carronite baths are more stable and hold water temperature for longer than a standard acrylic bath. Every Carronite bath comes with a 30 year manufacturer warranty, giving extra peace of mind when installing for a customer.

### PANELS

Baths with a panel icon have a corresponding panel designed specifically to fit the product in question.

### HAND GRIPS

Many Carron baths come with hand grips as an optional extra. All Carron hand grips allow for the use of a showerscreen.



### WHIRLPOOL

The ultimate in bathing luxury, C-Lenda Whirlpool systems are available as an optional extra for Carron baths. You will also find a guide to the Whirlpool range available on page five.

### EASE OF ACCESS

If you require a bath with a lower height, look out for our Ease of Access icon, to assist users with limited mobility.

### WATER SAVER

Providing a solution for those looking to reduce their water usage, the Water Saver icon shows baths with reduced water capacity.



# Carronite™.

## Designed to last a lifetime.

Carronite™ is Carron's unique, patented manufacturing process. We are so confident in the strength and quality of Carronite™ that we offer a 30 year manufacturer's warranty.

### How does Carronite™ work?

A Carronite™ bath's strength comes from a triple layer reinforcement system. The additional weight of this system requires the bath to be fitted with a heavy duty support/levelling system. The combination of the material itself and the support system ensure the rigidity and stability of the bath.



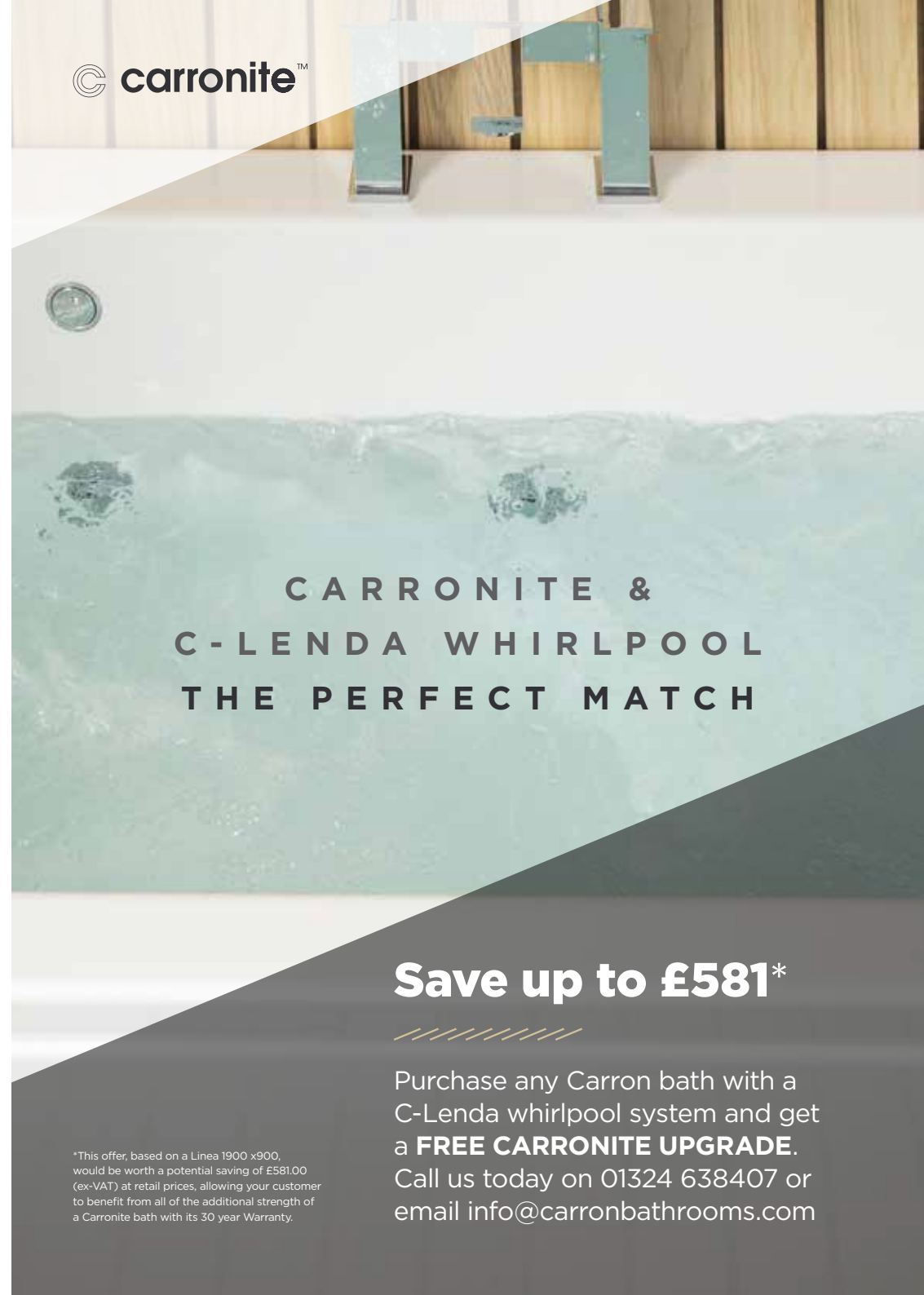
Stronger



Warmer for Longer



30 Year Guarantee



CARRONITE &  
C-LENDA WHIRLPOOL  
THE PERFECT MATCH

Save up to £581\*

Purchase any Carron bath with a C-Lenda whirlpool system and get a **FREE CARRONITE UPGRADE**. Call us today on 01324 638407 or email [info@carronbathrooms.com](mailto:info@carronbathrooms.com)

\*This offer, based on a Linea 1900 x900, would be worth a potential saving of £581.00 (ex-VAT) at retail prices, allowing your customer to benefit from all of the additional strength of a Carronite bath with its 30 year Warranty.

# C-Lenda Whirlpool Systems

The C-Lenda Whirlpool system is the most technologically advanced system available on today's market. This unique jet system has been designed by Markon in New Zealand and ensures the most comfortable bathing experience. Almost all baths in the Carron range are compatible with this whirlpool system and are made to order by our skilled technicians at our factory in Falkirk.

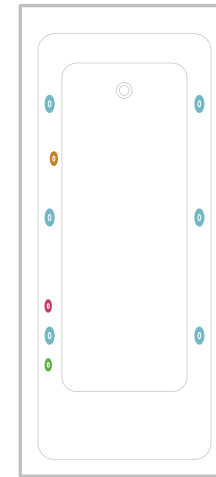
In previous whirlpool baths, the fittings protruded from the bath wall into the bathing area and were prone to build up of soap which was difficult to clean. In the unique C-Lenda design, all fittings are flush with the bath wall, creating a smooth, continuous surface.

<b>System 1</b>	<b>£1,327</b>	①
<b>SYSTEM OPTIONS:</b>	Pneumatic Controls, 6 Side Jets	
<b>System 2</b>	<b>£1,657</b>	②
<b>SYSTEM OPTIONS:</b>	Pneumatic Controls, 6 Side Jets, 6 Back Jets, 4 Feet Jets	
<b>System 3</b>	<b>£1,999</b>	③
<b>SYSTEM OPTIONS:</b>	Pneumatic Controls, 6 Side Jets, 6 Back Jets, 4 Feet Jets, Chromotherapy Light	
<b>System 4</b>	<b>£1,657</b>	④
<b>SYSTEM OPTIONS:</b>	Electronic Controls, 6 Side Jets	

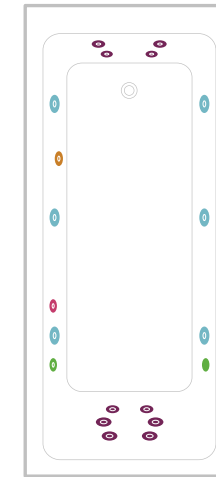
<b>System 5</b>	<b>£1,999</b>	⑤
<b>SYSTEM OPTIONS:</b>	Electronic Controls, 6 Side Jets, 6 Back Jets, 4 Feet Jets	
<b>System 6</b>	<b>£2,327</b>	⑥
<b>SYSTEM OPTIONS:</b>	Electronic Controls, 6 Side Jets, 6 Back Jets, 4 Feet Jets, Chromotherapy Light	
<b>Optional extras</b>		
Chromotherapy	£336	
Extra feet jets (pair)	£168	
For double ended baths, we recommend adding an extra pair of feet jets to provide a symmetrical appearance.		

## System Components

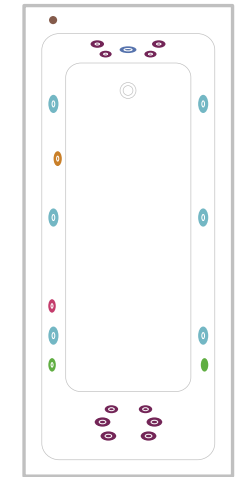
- Flush Centro Jets
- Flush Air Control
- Electronic On/Off
- Flush Suction
- Chromotherapy Light
- Pneumatic On/Off
- Flush Mini Jets
- Chromotherapy On/Off



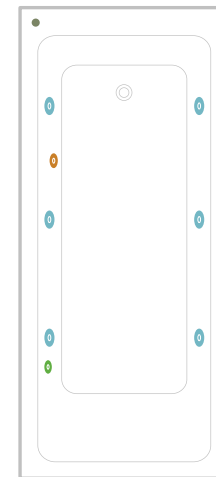
C-Lenda System 1 ①



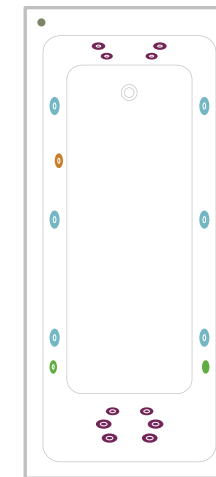
C-Lenda System 2 ②



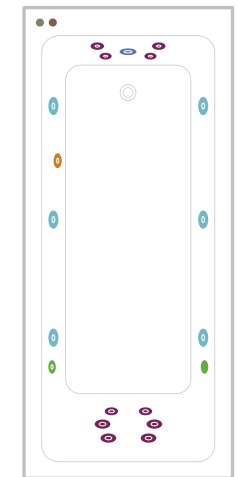
C-Lenda System 3 ③



C-Lenda System 4 ④



C-Lenda System 5 ⑤



C-Lenda System 6 ⑥

Diagrams shown are a guide only. Controls & light positions can vary by model. Please consult Carron for more information.

# Contents

## Rectangular Baths

Urban Sitbath 1250x725	12	Matrix 1700x700	57
Delta 1400x700	13	Profile SE 1700x700	58
Imperial TG 1400x700	14	Profile DE 1700x700	59
Arc SE 1500x700	15	Quantum DE 1700x700	60
Axis 1500x700	16	Quantum Integra 1700x700	61
Delta 1500x700	17	Quantum Integra Eco 430	62
Imperial TG 1500x700	18	Quantum Integra Eco 515	63
Matrix 1500x700	19	Quantum SE 1700x700	64
Profile SE 1500x700	20	Swallow TG 1700x700	65
Quantum Integra 1500x700	21	Status 1700x725	66
Quantum Integra Eco 430	22	Urban 1700x725	67
Quantum Integra Eco 515	23	Alpha 1700x750	68
Quantum SE 1500x700	24	Arc DE 1700x750	69
Quantum SE 1575 x 700 Super Deep	25	Arc SE 1700x750	70
Axis 1600x700	26	Britannia 1700x750	71
Camden SE 1600x700	27	Camden DE 1700x750	72
Delta 1600x700	28	Echelon (includes filler) 1700x750	73
Imperial TG 1600x700	29	Equation 1700x750	74
Matrix 1600x700	30	Equity 1700x750	75
Profile SE 1600x700	31	Highgate DE 1700x750	76
Profile DE 1600x700	32	Highgate SE 1700x750	77
Quantum Integra 1600x700	33	Index 1700x750	78
Quantum Integra Eco 430	34	Profile SE 1700x750	79
Quantum Integra Eco 515	35	Profile DE 1700x750	80
Quantum SE 1600x700	36	Quantum DE 1700x750	81
Status 1600x725	37	Quantum Integra DE 1700x750	82
Sigma 1600x750	38	Quantum Integra 1700x750	83
Profile DE 1600x800	39	Quantum SE 1700x750	84
Quantum SE 1600x800	40	Quantum Spacesaver 1700x750-400	85
Axis 1650x700	41	Sienna 1700x750	86
Camden SE 1650x700	42	Sigma 1700x750	87
Delta 1650x700	43	Zone 1700x750	88
Matrix 1650x700	44	Apex 1700x800	89
Quantum Integra 1650x700	45	Haiku 1700x800	90
Profile DE 1650x700	46	Quantum DE 1700x800	91
Delta 1675x700	47	Quantum Integra 1700x800	92
Imperial TG 1675x700	48	Quantum SE 1700x800	93
Alpha 1700x700	49	Sigma 1700x800	94
Arc SE 1700x700	50	Status 1700x800	95
Axis 1700x700	51	Quantum SE 1700x900	96
Britannia 1700x700	52	Camden DE 1750x750	97
Camden SE 1700x700	53	Profile DE 1750x750	98
Camden DE 1700x700	54	Profile SE 1750x750	99
Delta 1700x700	55	Quantum Integra 1750x750	100
Imperial TG 1700x700	56	Swallow TG 1800x700	101

## Rectangular Baths

Profile SE 1800x700	102
Profile DE 1800x700	103
Quantum SE 1800x725	104
Imperial TG 1800x750	105
Alpha 1800x800	106
Arc DE 1800x800	107
Britannia 1800x800	108
Echelon (inc Filler) 1800x800	109
Equation 1800x800	110
Equity 1800x800	111
Haiku 1800x800	112
Highgate DE 1800x800	113
Highgate SE 1800x800	114
Quantum Integra 1800x800	115
Quantum DE 1800x800	116
Quantum SE 1800x800	117
Sienna 1800x800	118
Sigma 1800x800	119
Zone 1800x800	120
Haiku 1800x900	121
Mistral 1800x700-900	122
Linea 1900x900	123
Quantum DE 1900x900	124
Sigma 1900x900	125

## Showerbaths

Quantum 1500x700-850	129
Urban Compact 1500x750-900	130
Profile SB 1500x900	131
Status 1550x850	132
Urban Swing 1575x850	133
Urban Edge 1575x700-850	134
Delta 1600x700-800	135
Quantum 1600x700-850	136
Brio 1650x700-850	137
Urban Edge 1675x700-850	138
Aspect 1700x700-800	139
Delta 1700x700-800	140
Arc 1700x700-850	141
Quantum 1700x700-850	142
Highgate 1700x750-900	143
Urban 1700x750-900	144
Sigma 1800x750-900	145

## Freestanding Baths

Paradigm 1550x850	148
Ascoli 1700x750	149
Halcyon Oval 1750x800	150
Halcyon Square 1750x800	151
Halcyon 'D' 1750x800	152
Highgate 1750x800	153
Elysee 1800x900	154
Celsius 1910x910	155

## ColourMatch

ColourMatch	158
ColourMatch Infinity Base	159

## Carron Editions

Editions Collection	162
---------------------	-----

## Corner Baths

Dove 1550x950	166
Omega 1700x1000	168
Oriole 1200x1200	169
Monarch 1300x1300	170
Tranquility 1300x1300	171
Centennial 1500x1500	172
Clipper 1575x1200	173

## Celsius Range

Celsius 700	176
Celsius 750	177
Celsius 1800	178
Celsius Showerbath	179
Celsius Oval	180
Celsius Duo	181

## Panels, Screens & Accessories

L-Shaped Panels	184
Front Panels	185
End Panels	185
Screens	186
Headrests	186

# Rectangular Baths

The most popular bath shape needs to come in a wide range of sizes and configurations. The Carron range of rectangular baths has every base covered with lengths ranging from 1250mm to 1900mm over a selection of width options.

## Grip Options

Chrome hand grips available on many of our rectangular baths. Anthracite Integra hand grips fits Quantum Integra bath only. Please order using appropriate product code.



Chrome hand grip CCG-1  
**£59 per pair** 02357



Chrome hand grip CCG-2  
**£46 per Pair** 02356



Anthracite Integra hand grip CCG-3  
**£60 per pair** 02549

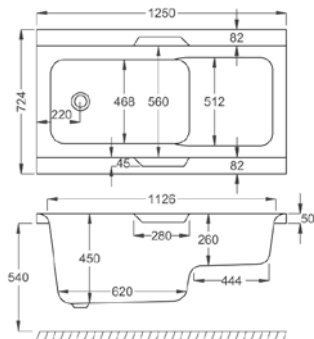
\*Fits Quantum Integra bath only.



## Urban Sitbath

Length. **1250mm** | Width. **725mm** | Height. **540mm**

	5mm	Code	Carronite	Code
<b>Urban Sitbath</b>	<b>£396</b>	<b>02445</b>	<b>£618</b>	<b>02446</b>
Urban Sitbath Front Panel	£144	02495	£195	02496
Urban Sitbath End Panel	£102	02287	£135	02307
Screen CFS-1 (H=1400mm)	£360	02344	£360	02344
Screen CFS-2 (H=1500mm)	£385	02346	£385	02346



**FEATURES:** **C** Carronite **P** Panel  
**H** Hand Grips

**CAPACITY:** 155 Litres

**WHIRLPOOL:** N/A

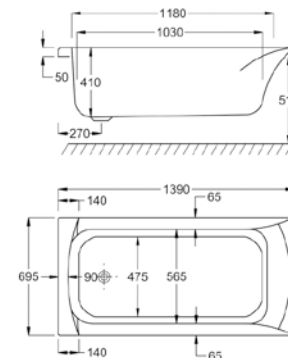
**KIT REF:** Standard - AK-06  
Carronite - AK-06-C

**SIZES:** 1250x725

## Delta

Length. **1400mm** | Width. **700mm** | Height. **515mm**

	5mm	Code	Carronite	Code
<b>Delta</b>	<b>£418</b>	<b>02047</b>	<b>£689</b>	<b>02048</b>
Front Panel (1400x515)	£128	02280	£186	02266
End Panel (700x515)	£102	02285	£135	02271
Screen CFS-1 (H=1400mm)	£360	02344	£360	02344
Screen CFS-2 (H=1500mm)	£385	02346	£385	02346
Grips CCG-1	£59	02357	£59	02357



**FEATURES:** **C** Carronite **P** Panel  
**H** Hand Grips **W** Whirlpool

**CAPACITY:** 142 Litres

**WHIRLPOOL:** Systems ① ④

**KIT REF:** Standard - AK-01  
Carronite - AK-01-C

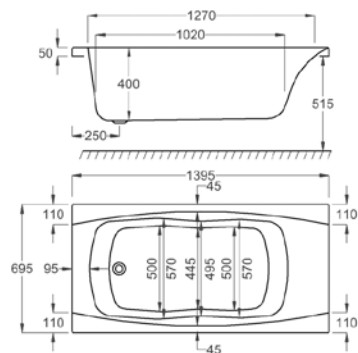
**SIZES:** 1400x700, 1500x700,  
1600x700, 1650x700,  
1675x700, 1700x700



## Imperial TG

Length. **1400mm** | Width. **700mm** | Height. **515mm**

	5mm	Code	Carronite	Code
<b>Imperial 1400 TG</b>	<b>£340</b>	<b>02455</b>	<b>£582</b>	<b>02456</b>
Front Panel (1400x515)	£128	02280	£186	02266
End Panel (700x515)	£102	02285	£135	02271
Screen CFS-1 (H=1400mm)	£360	02344	£360	02344
Screen CFS-2 (H=1500mm)	£385	02346	£385	02346



**FEATURES:** **C** Carronite **P** Panel  
**H** Hand Grips **W** Whirlpool

**CAPACITY:** 135 Litres

**WHIRLPOOL:** Systems ① ④

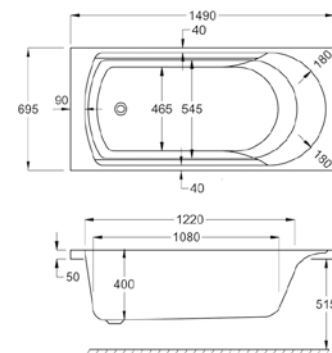
**KIT REF:** Standard - AK-01  
Carronite - AK-01-C

**SIZES:** 1400x700, 1500x700,  
1600x700, 1675x700,  
1700x700, 1800x750

## Arc SE

Length. **1500mm** | Width. **700mm** | Height. **515mm**

	5mm	Code	Carronite	Code
<b>Arc 1500</b>	<b>£324</b>	<b>02443</b>	<b>£575</b>	<b>02444</b>
L-Shaped Panel (1500x700x515)	-	-	£366	02502
Front Panel (1500x515)	£128	02315	£186	02314
End Panel (700x515)	£102	02285	£135	02271
Screen CFS-1 (H=1400mm)	£360	02344	£360	02344
Screen CFS-2 (H=1500mm)	£385	02346	£385	02346
Grips CCG-2	£46	02356	£46	02356



**FEATURES:** **C** Carronite **P** Panel  
**H** Hand Grips **W** Whirlpool

**CAPACITY:** 150 Litres

**WHIRLPOOL:** Systems ① ② ③ ④ ⑤ ⑥

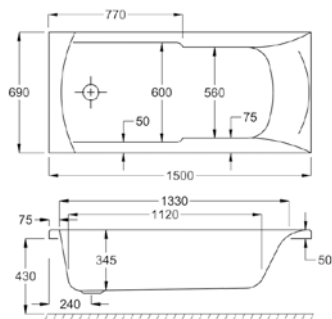
**KIT REF:** Standard - AK-01  
Carronite - AK-01-C

**SIZES:** 1500x700, 1700x700,  
1700x750

## Axis

Length. **1500mm** | Width. **700mm** | Height. **430mm**

	5mm	Code	Carronite	Code
<b>Axis</b>	<b>£346</b>	<b>02029</b>	<b>£602</b>	<b>02030</b>
L-Shaped Panel (1500x700x430)	-	-	£366	02499
Front Panel (1500x430)	£128	02252	£186	02253
End Panel (700x430)	£102	02258	£135	02259
Screen CFS-1 (H=1400mm)	£360	02344	£360	02344
Screen CFS-2 (H=1500mm)	£385	02346	£385	02346
Grips CCG-2	£46	02356	£46	02356



**FEATURES:** **C** Carronite **P** Panel  
**H** Hand Grips **A** Accessible  
**S** Water Saver

**CAPACITY:** 131 Litres

**WHIRLPOOL:** N/A

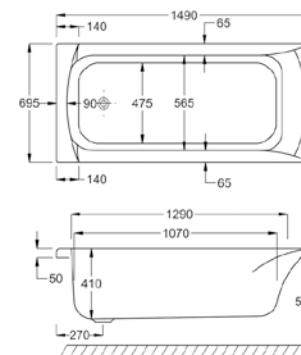
**KIT REF:** Standard - AK-01  
Carronite - AK-01-C

**SIZES:** 1500x700, 1600x700,  
1650x700, 1700x700

## Delta

Length. **1500mm** | Width. **700mm** | Height. **515mm**

	5mm	Code	Carronite	Code
<b>Delta 1500</b>	<b>£418</b>	<b>02051</b>	<b>£689</b>	<b>02052</b>
L-Shaped Panel (1500x700x515)	-	-	£366	02502
Front Panel (1500x515)	£128	02315	£186	02314
End Panel (700x515)	£102	02285	£135	02271
Screen CFS-1 (H=1400mm)	£360	02344	£360	02344
Screen CFS-2 (H=1500mm)	£385	02346	£385	02346
Grips CCG-1	£59	02357	£59	02357



**FEATURES:** **C** Carronite **P** Panel  
**H** Hand Grips **W** Whirlpool

**CAPACITY:** 152 Litres

**WHIRLPOOL:** Systems ① ② ③ ④ ⑤ ⑥

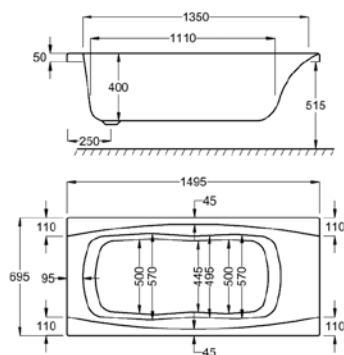
**KIT REF:** Standard - AK-01  
Carronite - AK-01-C

**SIZES:** 1400x700, 1500x700,  
1600x700, 1650x700,  
1675x700, 1700x700

## Imperial TG

Length. **1500mm** | Width. **700mm** | Height. **515mm**

	5mm	Code	Carronite	Code
<b>Imperial TG</b>	<b>£340</b>	<b>02108</b>	<b>£582</b>	<b>02109</b>
L-Shaped Panel (1500x700x515)	-	-	£366	02502
Front Panel (1500x515)	£128	02315	£186	02314
End Panel (700x515)	£102	02285	£135	02271
Screen CFS-1 (H=1400mm)	£360	02344	£360	02344
Screen CFS-2 (H=1500mm)	£385	02346	£385	02346



**FEATURES:** **C** Carronite **P** Panel  
**H** Hand Grips **W** Whirlpool

**CAPACITY:** 145 Litres

**WHIRLPOOL:** Systems ① ② ③ ④ ⑤ ⑥

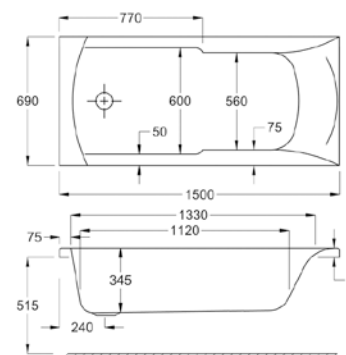
**KIT REF:** Standard - AK-01  
Carronite - AK-01-C

**SIZES:** 1400x700, 1500x700,  
1600x700, 1675x700,  
1700x700, 1800x750

## Matrix

Length. **1500mm** | Width. **700mm** | Height. **515mm**

	5mm	Code	Carronite	Code
<b>Matrix</b>	<b>£346</b>	<b>02122</b>	<b>£602</b>	<b>02123</b>
L-Shaped Panel (1500x700x515)	-	-	£366	02502
Front Panel (1500x515)	£128	02315	£186	02314
End Panel (700x515)	£102	02285	£135	02271
Screen CFS-1 (H=1400mm)	£360	02344	£360	02344
Screen CFS-2 (H=1500mm)	£385	02346	£385	02346
Grips CCG-2	£46	02356	£46	02356



**FEATURES:** **C** Carronite **P** Panel  
**H** Hand Grips  
**S** Water Saver

**CAPACITY:** 131 Litres

**WHIRLPOOL:** N/A

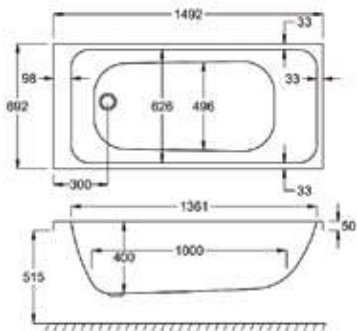
**KIT REF:** Standard - AK-02  
Carronite - AK-02-C

**SIZES:** 1500x700, 1600x700,  
1650x700, 1700x700

## Profile SE

Length. **1500mm** | Width. **700mm** | Height. **515mm**

	5mm	Code	Carronite	Code
<b>Profile</b>	<b>£401</b>	<b>02418</b>	<b>£684</b>	<b>02419</b>
L-Shaped Panel (1500x700x515)	-	-	£366	02502
Front Panel (1500x515)	£128	02315	£186	02314
End Panel (700x515)	£102	02285	£135	02271
Screen CFS-1 (H=1400mm)	£360	02344	£360	02344
Screen CFS-2 (H=1500mm)	£385	02346	£385	02346

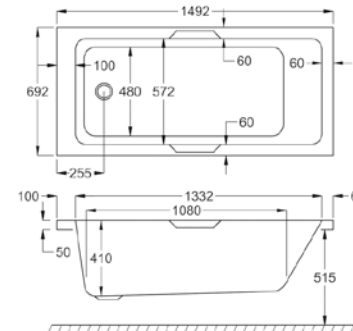
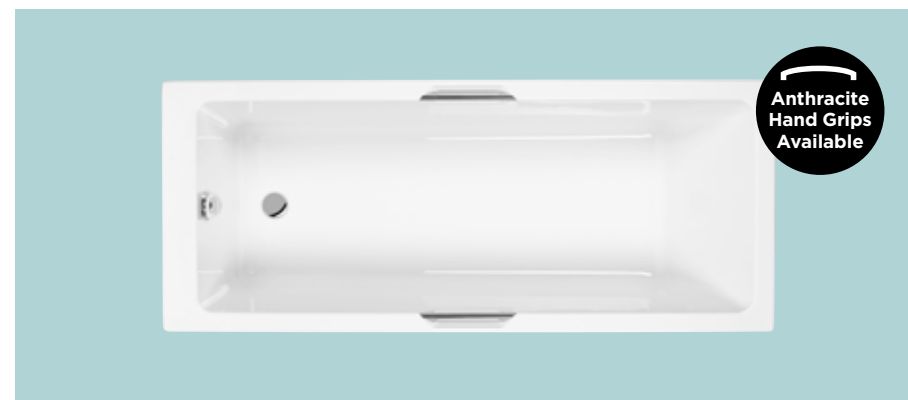


<b>FEATURES:</b>	<b>C</b> Carronite <b>P</b> Panel
<b>CAPACITY:</b>	190 Litres
<b>WHIRLPOOL:</b>	N/A
<b>KIT REF:</b>	Standard - AK-01 Carronite - AK-01-C
<b>SIZES:</b>	1500x700, 1600x700, 1700x700, 1700x750, 1750x750, 1800x700

## Quantum Integra

Length. **1500mm** | Width. **700mm** | Height. **515mm**

	5mm	Code	Carronite	Code
<b>Quantum Integra</b>	<b>£403</b>	<b>02165</b>	<b>£646</b>	<b>02166</b>
L-Shaped Panel (1500x700x515)	-	-	£366	02502
Front Panel (1500x515)	£128	02315	£186	02314
End Panel (700x515)	£102	02285	£135	02271
Screen CFS-1 (H=1400mm)	£360	02344	£360	02344
Screen CFS-2 (H=1500mm)	£385	02346	£385	02346
Anthracite Integra Hand Grips (additional cost)	+£60	02549	+£60	02549

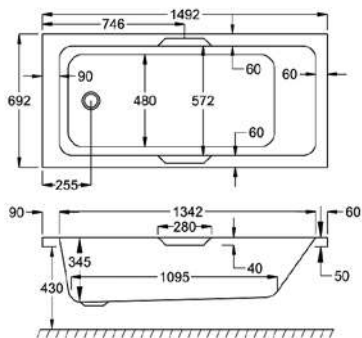


<b>FEATURES:</b>	<b>C</b> Carronite <b>P</b> Panel <b>H</b> Hand Grips <b>W</b> Whirlpool
<b>CAPACITY:</b>	198 Litres
<b>WHIRLPOOL:</b>	Systems ① ④
<b>KIT REF:</b>	Standard - AK-01 Carronite - AK-01-C
<b>SIZES:</b>	1500x700, 1600x700, 1650x700, 1700x700, 1700x750, 1700x800, 1750x750, 1800x800

## Quantum Integra Eco 430

Length. **1500mm** | Width. **700mm** | Height. **430mm**

	5mm	Code	Carronite	Code
<b>Quantum Integra Eco 430</b>	<b>£403</b>	<b>02447</b>	<b>£646</b>	<b>02448</b>
L-Shaped Panel (1500x700x430)	-	-	£366	02499
Front Panel (1500x430)	£128	02252	£186	02253
End Panel (700x430)	£102	02258	£135	02259
Screen CFS-1 (H=1400mm)	£360	02344	£360	02344
Screen CFS-2 (H=1500mm)	£385	02346	£385	02346
Anthracite Integra Hand Grips (additional cost)	+£60	02549	+£60	02549



**FEATURES:** **C** Carronite **P** Panel  
**H** Hand Grips **A** Accessible  
**S** Water Saver

**CAPACITY:** 152 Litres

**WHIRLPOOL:** N/A

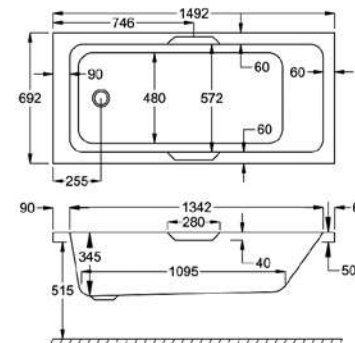
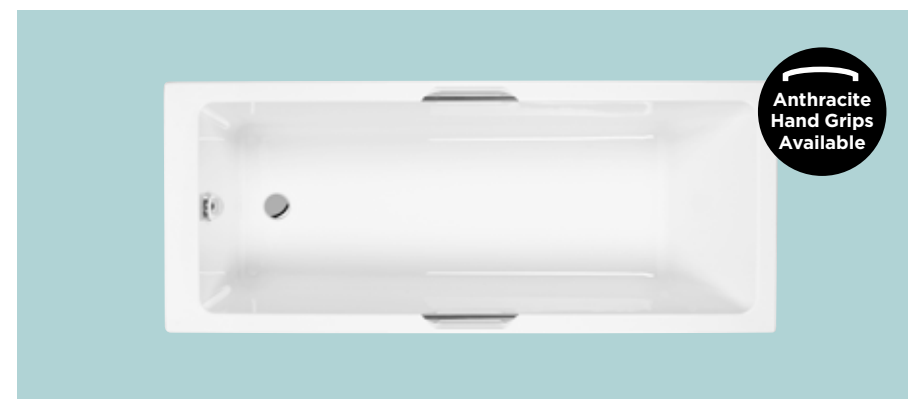
**KIT REF:** Standard - AK-01  
Carronite - AK-01-C

**SIZES:** 1500x700 (H=430),  
1600x700 (H=430),  
1700x700 (H=430)

## Quantum Integra Eco 515

Length. **1500mm** | Width. **700mm** | Height. **515mm**

	5mm	Code	Carronite	Code
<b>Quantum Integra Eco 515</b>	<b>£403</b>	<b>02447*</b>	<b>£646</b>	<b>02448*</b>
L-Shaped Panel (1500x700x515)	-	-	£366	02502
Front Panel (1500x515)	£128	02315	£186	02314
End Panel (700x515)	£102	02285	£135	02271
Screen CFS-1 (H=1400mm)	£360	02344	£360	02344
Screen CFS-2 (H=1500mm)	£385	02346	£385	02346
Anthracite Integra Hand Grips (additional cost)	+£60	02549	+£60	02549



**FEATURES:** **C** Carronite **P** Panel  
**H** Hand Grips  
**S** Water Saver

**CAPACITY:** 152 Litres

**WHIRLPOOL:** N/A

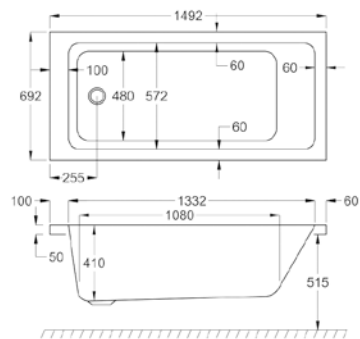
**KIT REF:** Standard - AK-02  
Carronite - AK-02-C

**SIZES:** 1500x700 (H=515),  
1600x700 (H=515),  
1700x700 (H=515)

## Quantum SE

Length. **1500mm** | Width. **700mm** | Height. **515mm**

	5mm	Code	Carronite	Code
<b>Quantum SE</b>	<b>£346</b>	<b>02141</b>	<b>£604</b>	<b>02142</b>
L-Shaped Panel (1500x700x515)	-	-	£366	02502
Front Panel (1500x515)	£128	02315	£186	02314
End Panel (700x515)	£102	02285	£135	02271
Screen CFS-1 (H=1400mm)	£360	02344	£360	02344
Screen CFS-2 (H=1500mm)	£385	02346	£385	02346



**FEATURES:** **C** Carronite **P** Panel  
**W** Whirlpool

**CAPACITY:** 198 Litres

**WHIRLPOOL:** Systems ① ④

**KIT REF:** Standard - AK-01  
Carronite - AK-01-C

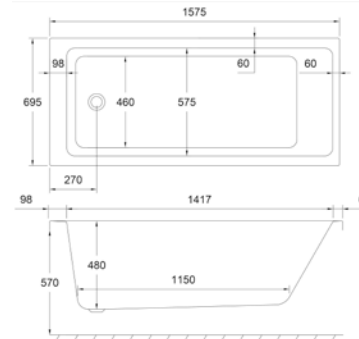
**SIZES:** 1500x700, 1575x700,  
1600x700, 1600x800,  
1700x700, 1700x750,  
1700x800, 1700x900,  
1800x725, 1800x800

## Quantum SE Super Deep

Length. **1575mm** | Width. **700mm** | Height. **570mm**

	5mm	Code	Carronite	Code
<b>Quantum SE</b>	<b>£480</b>	<b>02750</b>	<b>£713</b>	<b>02751</b>
Screen CFS-1 (H=1400mm)	£360	02344	£360	02344
Screen CFS-2 (H=1500mm)	£385	02346	£385	02346

\*Panels not currently available for this model.



**FEATURES:** **C** Carronite **W** Whirlpool

**CAPACITY:** 247 Litres

**WHIRLPOOL:** Systems ① ④

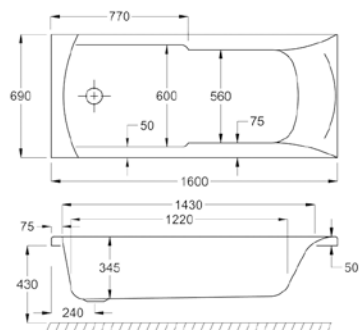
**KIT REF:** Standard - AK-01  
Carronite - AK-01-C

**SIZES:** 1500x700, 1575x700,  
1600x700, 1600x800,  
1700x700, 1700x750,  
1700x800, 1700x900,  
1800x725, 1800x800

## Axis

Length. **1600mm** | Width. **700mm** | Height. **430mm**

	5mm	Code	Carronite	Code
<b>Axis</b>	<b>£346</b>	<b>02033</b>	<b>£602</b>	<b>02034</b>
L-Shaped Panel (1600x700x430)	-	-	£366	02500
Front Panel (1600x430)	£128	02254	£186	02255
End Panel (700x430)	£102	02258	£135	02259
Screen CFS-1 (H=1400mm)	£360	02344	£360	02344
Screen CFS-2 (H=1500mm)	£385	02346	£385	02346
Grips CCG-2	£46	02356	£46	02356



**FEATURES:** **C** Carronite **P** Panel  
**H** Hand Grips **A** Accessible  
**S** Water Saver

**CAPACITY:** 138 Litres

**WHIRLPOOL:** N/A

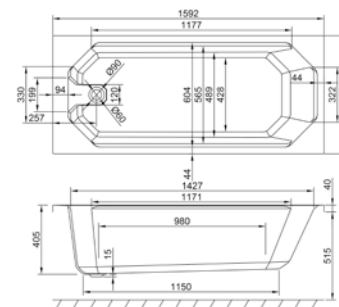
**KIT REF:** Standard - AK-01  
Carronite - AK-01-C

**SIZES:** 1500x700, 1600x700,  
1650x700, 1700x700

## Camden SE

Length. **1600mm** | Width. **700mm** | Height. **515mm**

	5mm	Code	Carronite	Code
<b>Camden SE</b>	<b>£401</b>	<b>02555</b>	<b>£684</b>	<b>02556</b>
L-Shaped Panel (1600x700x515)	-	-	£366	02503
Front Panel (1600x515)	£128	02316	£186	02317
End Panel (700x515)	£102	02285	£135	02271
Screen CFS-1 (H=1400mm)	£360	02344	£360	02344
Screen CFS-2 (H=1500mm)	£385	02346	£385	02346



**FEATURES:** **C** Carronite **P** Panel

**CAPACITY:** 192 Litres

**WHIRLPOOL:** N/A

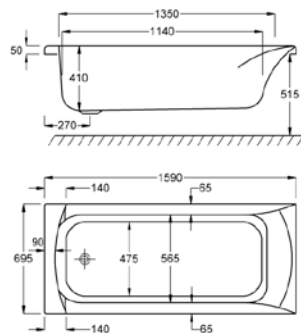
**KIT REF:** Standard - AK-01  
Carronite - AK-01-C

**SIZES:** 1600x700, 1650x700,  
1700x700

## Delta

Length. **1600mm** | Width. **700mm** | Height. **515mm**

	5mm	Code	Carronite	Code
<b>Delta</b>	<b>£418</b>	<b>02055</b>	<b>£689</b>	<b>02056</b>
L-Shaped Panel (1600x700x515)	-	-	£366	02503
Front Panel (1600x515)	£128	02316	£186	02317
End Panel (700x515)	£102	02285	£135	02271
Screen CFS-1 (H=1400mm)	£360	02344	£360	02344
Screen CFS-2 (H=1500mm)	£385	02346	£385	02346
Grips CCG-1	£59	02357	£59	02357



**FEATURES:** **C** Carronite **P** Panel  
**H** Hand Grips **W** Whirlpool

**CAPACITY:** 162 Litres

**WHIRLPOOL:** Systems ① ② ③ ④ ⑤ ⑥

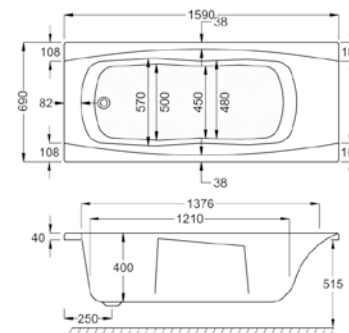
**KIT REF:** Standard - AK-01  
Carronite - AK-01-C

**SIZES:** 1400x700, 1500x700,  
1600x700, 1650x700,  
1675x700, 1700x700

## Imperial TG

Length. **1600mm** | Width. **700mm** | Height. **515mm**

	5mm	Code	Carronite	Code
<b>Imperial TG</b>	<b>£340</b>	<b>02110</b>	<b>£582</b>	<b>02111</b>
L-Shaped Panel (1600x700x515)	-	-	£366	02503
Front Panel (1600x515)	£128	02316	£186	02317
End Panel (700x515)	£102	02285	£135	02271
Screen CFS-1 (H=1400mm)	£360	02344	£360	02344
Screen CFS-2 (H=1500mm)	£385	02346	£385	02346



**FEATURES:** **C** Carronite **P** Panel  
**H** Hand Grips **W** Whirlpool

**CAPACITY:** 162 Litres

**WHIRLPOOL:** Systems ① ④

**KIT REF:** Standard - AK-01  
Carronite - AK-01-C

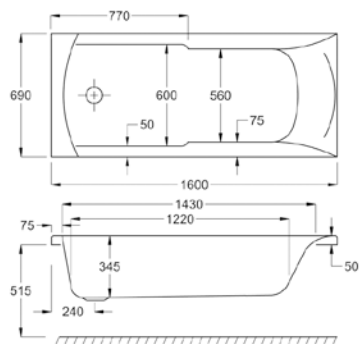
**SIZES:** 1400x700, 1500x700,  
1600x700, 1675x700,  
1700x700, 1800x750



## Matrix

Length. **1600mm** | Width. **700mm** | Height. **515mm**

	5mm	Code	Carronite	Code
<b>Matrix</b>	<b>£346</b>	<b>02124</b>	<b>£602</b>	<b>02125</b>
L-Shaped Panel (1600x700x515)	-	-	£366	02503
Front Panel (1600x515)	£128	02316	£186	02317
End Panel (700x515)	£102	02285	£135	02271
Screen CFS-1 (H=1400mm)	£360	02344	£360	02344
Screen CFS-2 (H=1500mm)	£385	02346	£385	02346
Grips CCG-2	£46	02356	£46	02356



**FEATURES:** **C** Carronite **P** Panel  
**H** Hand Grips  
**S** Water Saver

**CAPACITY:** 138 Litres

**WHIRLPOOL:** N/A

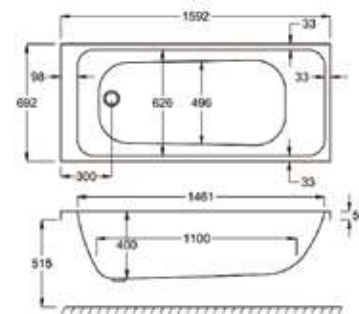
**KIT REF:** Standard - AK-02  
 Carronite - AK-02-C

**SIZES:** 1500x700, 1600x700,  
 1650x700, 1700x700

## Profile SE

Length. **1600mm** | Width. **700mm** | Height. **515mm**

	5mm	Code	Carronite	Code
<b>Profile SE</b>	<b>£401</b>	<b>02420</b>	<b>£684</b>	<b>02421</b>
L-Shaped Panel (1600x700x515)	-	-	£366	02503
Front Panel (1600x515)	£128	02316	£186	02317
End Panel (700x515)	£102	02285	£135	02271
Screen CFS-1 (H=1400mm)	£360	02344	£360	02344
Screen CFS-2 (H=1500mm)	£385	02346	£385	02346



**FEATURES:** **C** Carronite **P** Panel

**CAPACITY:** 204 Litres

**WHIRLPOOL:** N/A

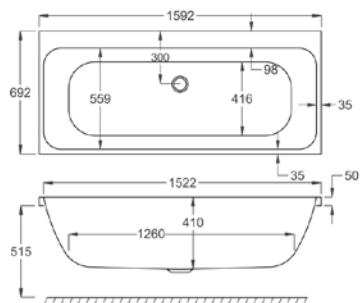
**KIT REF:** Standard - AK-01  
 Carronite - AK-01-C

**SIZES:** 1500x700, 1600x700,  
 1700x700, 1700x750,  
 1750x750, 1800x700

## Profile DE

Length. **1600mm** | Width. **700mm** | Height. **515mm**

	5mm	Code	Carronite	Code
<b>Profile DE</b>	<b>£401</b>	<b>02199</b>	<b>£684</b>	<b>02200</b>
L-Shaped Panel (1600x700x515)	-	-	£366	02503
Front Panel (1600x515)	£128	02316	£186	02317
End Panel (700x515)	£102	02285	£135	02271
Screen CFS-1 (H=1400mm)	£360	02344	£360	02344
Screen CFS-2 (H=1500mm)	£385	02346	£385	02346



**FEATURES:** **C** Carronite **P** Panel

**CAPACITY:** 188 Litres

**WHIRLPOOL:** N/A

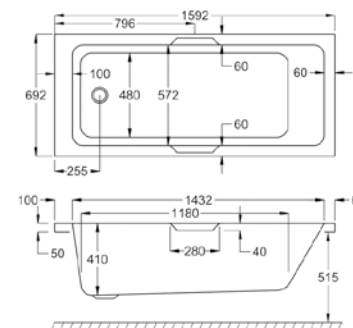
**KIT REF:** Standard - AK-01  
Carronite - AK-01-C

**SIZES:** 1600x700, 1600x800,  
1650x700, 1700x700,  
1700x750, 1750x750,  
1800x700

## Quantum Integra

Length. **1600mm** | Width. **700mm** | Height. **515mm**

	5mm	Code	Carronite	Code
<b>Quantum Integra</b>	<b>£403</b>	<b>02167</b>	<b>£646</b>	<b>02168</b>
L-Shaped Panel (1600x700x515)	-	-	£366	02503
Front Panel (1600x515)	£128	02316	£186	02317
End Panel (700x515)	£102	02285	£135	02271
Screen CFS-1 (H=1400mm)	£360	02344	£360	02344
Screen CFS-2 (H=1500mm)	£385	02346	£385	02346
Anthracite Integra Hand Grips (additional cost)	+£60	02549	+£60	02549



**FEATURES:** **C** Carronite **P** Panel  
**H** Hand Grips **W** Whirlpool

**CAPACITY:** 213 Litres

**WHIRLPOOL:** Systems ① ④

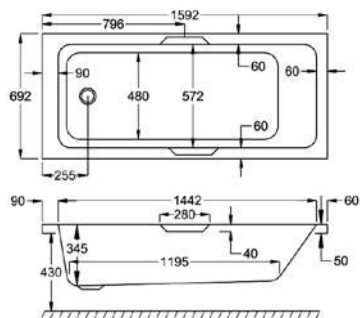
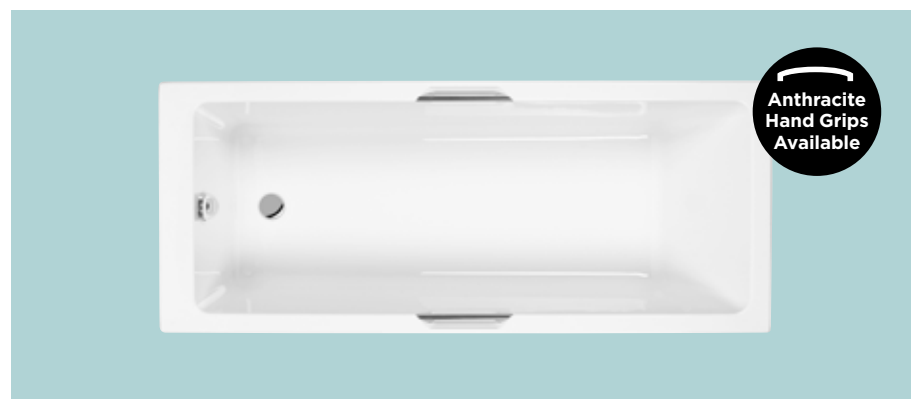
**KIT REF:** Standard - AK-01  
Carronite - AK-01-C

**SIZES:** 1500x700, 1600x700,  
1650x700, 1700x700,  
1700x750, 1700x800,  
1750x750, 1800x800

## Quantum Integra Eco 430

Length. **1600mm** | Width. **700mm** | Height. **430mm**

	5mm	Code	Carronite	Code
<b>Quantum Integra Eco 430</b>	<b>£403</b>	<b>02449</b>	<b>£646</b>	<b>02450</b>
L-Shaped Panel (1600x700x430)	-	-	£366	02500
Front Panel (1600x430)	£128	02254	£186	02255
End Panel (700x430)	£102	02258	£135	02259
Screen CFS-1 (H=1400mm)	£360	02344	£360	02344
Screen CFS-2 (H=1500mm)	£385	02346	£385	02346
Anthracite Integra Hand Grips (additional cost)	+£60	02549	+£60	02549



**FEATURES:** **C** Carronite **P** Panel  
**H** Hand Grips **A** Accessible  
**S** Water Saver

**CAPACITY:** 165 Litres

**WHIRLPOOL:** N/A

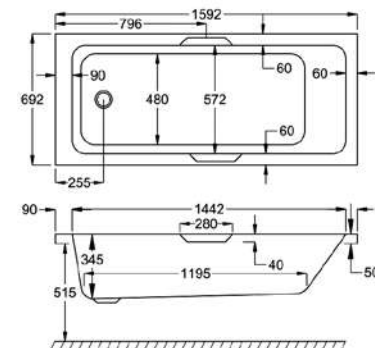
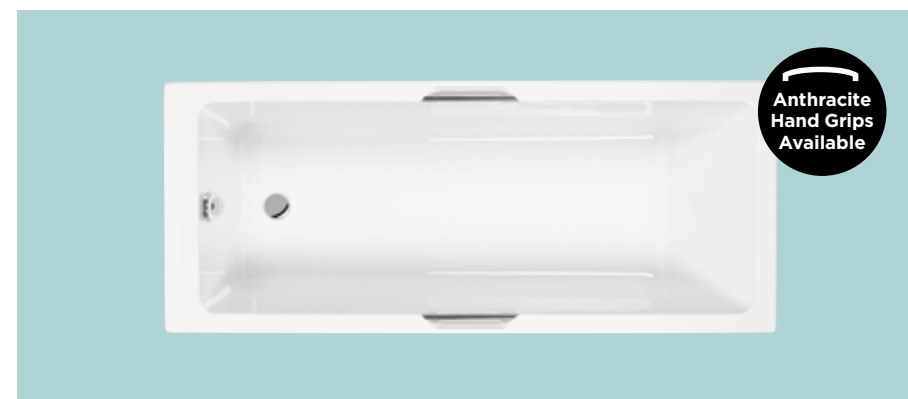
**KIT REF:** Standard - AK-01  
Carronite - AK-01-C

**SIZES:** 1500x700 (H=430),  
1600x700 (H=430),  
1700x700 (H=430)

## Quantum Integra Eco 515

Length. **1600mm** | Width. **700mm** | Height. **515mm**

	5mm	Code	Carronite	Code
<b>Quantum Integra Eco 515</b>	<b>£403</b>	<b>02449*</b>	<b>£646</b>	<b>02450*</b>
L-Shaped Panel (1600x700x515)	-	-	£366	02503
Front Panel (1600x515)	£128	02316	£186	02317
End Panel (700x515)	£102	02285	£135	02271
Screen CFS-1 (H=1400mm)	£360	02344	£360	02344
Screen CFS-2 (H=1500mm)	£385	02346	£385	02346
Anthracite Integra Hand Grips (additional cost)	+£60	02549	+£60	02549



**FEATURES:** **C** Carronite **P** Panel  
**H** Hand Grips  
**S** Water Saver

**CAPACITY:** 165 Litres

**WHIRLPOOL:** N/A

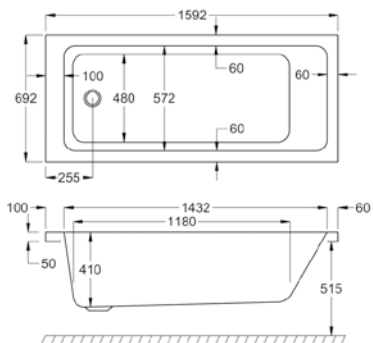
**KIT REF:** Standard - AK-02  
Carronite - AK-02-C

**SIZES:** 1500x700 (H=515),  
1600x700 (H=515),  
1700x700 (H=515)

## Quantum SE

Length. **1600mm** | Width. **700mm** | Height. **515mm**

	5mm	Code	Carronite	Code
<b>Quantum SE</b>	<b>£346</b>	<b>02143</b>	<b>£604</b>	<b>02144</b>
L-Shaped Panel (1600x700x515)	-	-	£366	02503
Front Panel (1600x515)	£128	02316	£186	02317
End Panel (700x515)	£102	02285	£135	02271
Screen CFS-1 (H=1400mm)	£360	02344	£360	02344
Screen CFS-2 (H=1500mm)	£385	02346	£385	02346



**FEATURES:** **C** Carronite **P** Panel  
**W** Whirlpool

**CAPACITY:** 213 Litres

**WHIRLPOOL:** Systems ① ④

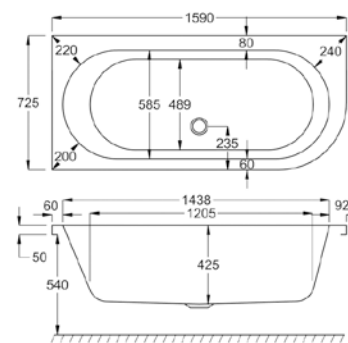
**KIT REF:** Standard - AK-01  
Carronite - AK-01-C

**SIZES:** 1500x700, 1575x700,  
1600x700, 1600x800,  
1700x700, 1700x750,  
1700x800, 1700x900,  
1800x725, 1800x800

## Status

Length. **1600mm** | Width. **725mm** | Height. **540mm**

	5mm	Code	Carronite	Code
<b>Status (LH)</b>	<b>£567</b>	<b>02209</b>	<b>£920</b>	<b>02210</b>
<b>Status (RH)</b>	<b>£567</b>	<b>02211</b>	<b>£920</b>	<b>02212</b>
Status Front Panel 1600	£258	02334	£365	02335
Screen CFS-1 (H=1400mm)	£360	02344	£360	02344
Screen CFS-2 (H=1500mm)	£385	02346	£385	02346



**FEATURES:** **C** Carronite **P** Panel  
**W** Whirlpool

**CAPACITY:** 197 Litres

**WHIRLPOOL:** Systems ① ④

**KIT REF:** Standard - AK-01  
Carronite - AK-01-C

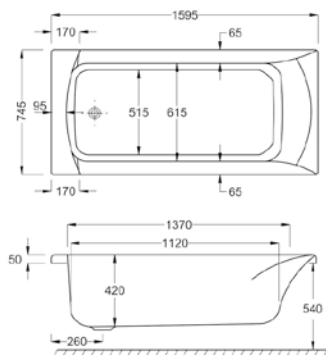
**SIZES:** 1600x725, 1700x725,  
1700x800

Available in right or left hand. Right hand shown.

## Sigma

Length. **1600mm** | Width. **750mm** | Height. **540mm**

	5mm	Code	Carronite	Code
<b>Sigma</b>	<b>£557</b>	<b>02442</b>	<b>£815</b>	<b>02454</b>
Front Panel (1600x540)	£144	02281	£195	02267
End Panel (750x540)	£102	02289	£135	02275
Screen CFS-1 (H=1400mm)	£360	02344	£360	02344
Screen CFS-2 (H=1500mm)	£385	02346	£385	02346
Grips CCG-1	£59	02357	£59	02357



**FEATURES:** **C** Carronite **P** Panel  
**H** Hand Grips **W** Whirlpool

**CAPACITY:** 175 Litres

**WHIRLPOOL:** Systems ① ② ③ ④ ⑤ ⑥

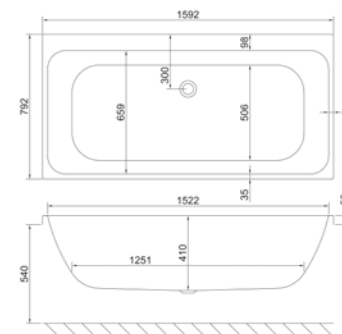
**KIT REF:** Standard - AK-01  
Carronite - AK-01-C

**SIZES:** 1600x750, 1700x750,  
1700x800, 1800x800,  
1900x900

## Profile DE

Length. **1600mm** | Width. **800mm** | Height. **540mm**

	5mm	Code	Carronite	Code
<b>Profile DE</b>	<b>£501</b>	<b>02589</b>	<b>£799</b>	<b>02590</b>
L-Shaped Panel (1600x800x540)	-	-	£366	02567
Front Panel (1600x540)	£144	02281	£195	02267
End Panel (800x540)	£102	02291	£135	02277
Screen CFS-1 (H=1400mm)	£360	02344	£360	02344
Screen CFS-2 (H=1500mm)	£385	02346	£385	02346



**FEATURES:** **C** Carronite **P** Panel

**CAPACITY:** 215 Litres

**WHIRLPOOL:** N/A

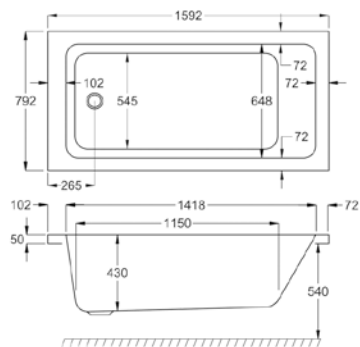
**KIT REF:** Standard - AK-03  
Carronite - AK-03-C

**SIZES:** 1600x700, 1600x800,  
1650x700, 1700x700,  
1700x750, 1750x750,  
1800x700

## Quantum SE

Length. **1600mm** | Width. **800mm** | Height. **540mm**

	5mm	Code	Carronite	Code
<b>Quantum SE</b>	<b>£480</b>	<b>02145</b>	<b>£713</b>	<b>02146</b>
L-Shaped Panel (1600x800x540)	-	-	£366	02567
Front Panel (1600x540)	£144	02281	£195	02267
End Panel (800x540)	£102	02291	£135	02277
Screen CFS-1 (H=1400mm)	£360	02344	£360	02344
Screen CFS-2 (H=1500mm)	£385	02346	£385	02346



**FEATURES:** **C** Carronite **P** Panel  
**W** Whirlpool

**CAPACITY:** 247 Litres

**WHIRLPOOL:** Systems ① ② ③ ④ ⑤ ⑥

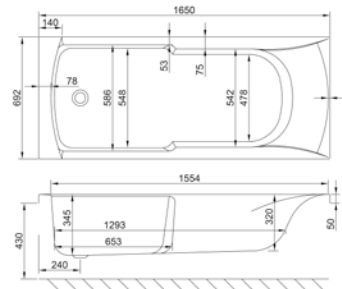
**KIT REF:** Standard - AK-03  
Carronite - AK-03-C

**SIZES:** 1500x700, 1575x700,  
1600x700, 1600x800,  
1700x700, 1700x750,  
1700x800, 1700x900,  
1800x725, 1800x800

## Axis

Length. **1650mm** | Width. **700mm** | Height. **430mm**

	5mm	Code	Carronite	Code
<b>Axis</b>	<b>£346</b>	<b>02585</b>	<b>£602</b>	<b>02586</b>
L-Shaped Panel (1650x700x430)	-	-	£366	02597
Front Panel (1650x430)	£128	02598	£186	02599
End Panel (700x430)	£102	02258	£135	02259
Screen CFS-1 (H=1400mm)	£360	02344	£360	02344
Screen CFS-2 (H=1500mm)	£385	02346	£385	02346
Grips CCG-2	£46	02356	£46	02356



**FEATURES:** **C** Carronite **P** Panel  
**H** Hand Grips **A** Accessible  
**S** Water Saver

**CAPACITY:** 142 Litres

**WHIRLPOOL:** N/A

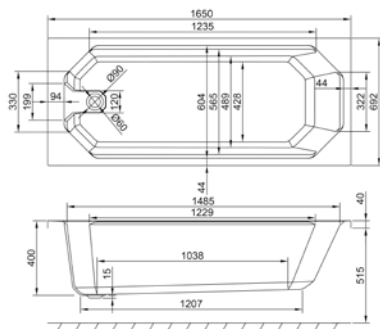
**KIT REF:** Standard - AK-01  
Carronite - AK-01-C

**SIZES:** 1500x700, 1600x700,  
1650x700, 1700x700

## Camden SE

Length. **1650mm** | Width. **700mm** | Height. **515mm**

	5mm	Code	Carronite	Code
<b>Camden SE</b>	<b>£401</b>	<b>02557</b>	<b>£684</b>	<b>02558</b>
L-Shaped Panel (1650x700x515)	-	-	£366	02531
Front Panel (1650x515)	£128	02282	£186	02268
End Panel (700x515)	£102	02285	£135	02271
Screen CFS-1 (H=1400mm)	£360	02344	£360	02344
Screen CFS-2 (H=1500mm)	£385	02346	£385	02346



**FEATURES:** **C** Carronite **P** Panel

**CAPACITY:** 200 Litres

**WHIRLPOOL:** N/A

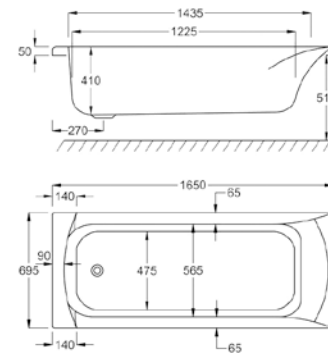
**KIT REF:** Standard - AK-01  
Carronite - AK-01-C

**SIZES:** 1600x700, 1650x700,  
1700x700

## Delta

Length. **1650mm** | Width. **700mm** | Height. **515mm**

	5mm	Code	Carronite	Code
<b>Delta</b>	<b>£418</b>	<b>02059</b>	<b>£689</b>	<b>02060</b>
L-Shaped Panel (1650x700x515)	-	-	£366	02531
Front Panel (1650x515)	£128	02282	£186	02268
End Panel (700x515)	£102	02285	£135	02271
Screen CFS-1 (H=1400mm)	£360	02344	£360	02344
Screen CFS-2 (H=1500mm)	£385	02346	£385	02346
Grips CCG-1	£59	02357	£59	02357



**FEATURES:** **C** Carronite **P** Panel  
**H** Hand Grips **W** Whirlpool

**CAPACITY:** 167 Litres

**WHIRLPOOL:** Systems ① ② ③ ④ ⑤ ⑥

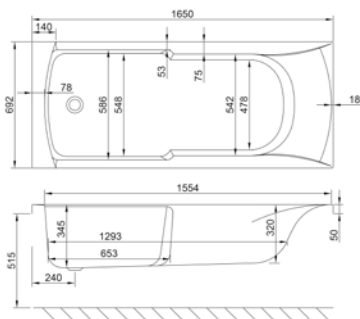
**KIT REF:** Standard - AK-01  
Carronite - AK-01-C

**SIZES:** 1400x700, 1500x700,  
1600x700, 1650x700,  
1675x700, 1700x700

## Matrix

Length. **1650mm** | Width. **700mm** | Height. **515mm**

	5mm	Code	Carronite	Code
<b>Matrix</b>	<b>£346</b>	<b>02587</b>	<b>£602</b>	<b>02588</b>
L-Shaped Panel (1650x700x515)	-	-	£366	02531
Front Panel (1650x515)	£128	02282	£186	02268
End Panel (700x515)	£102	02285	£135	02271
Screen CFS-1 (H=1400mm)	£360	02344	£360	02344
Screen CFS-2 (H=1500mm)	£385	02346	£385	02346
Grips CCG-2	£46	02356	£46	02356



**FEATURES:** **C** Carronite **P** Panel  
**H** Hand Grips  
**S** Water Saver

**CAPACITY:** 142 Litres

**WHIRLPOOL:** N/A

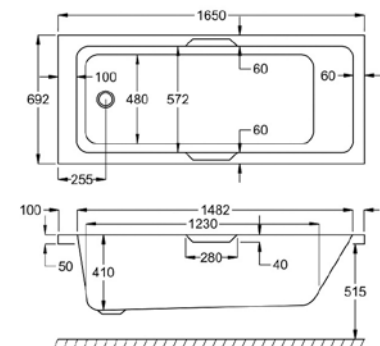
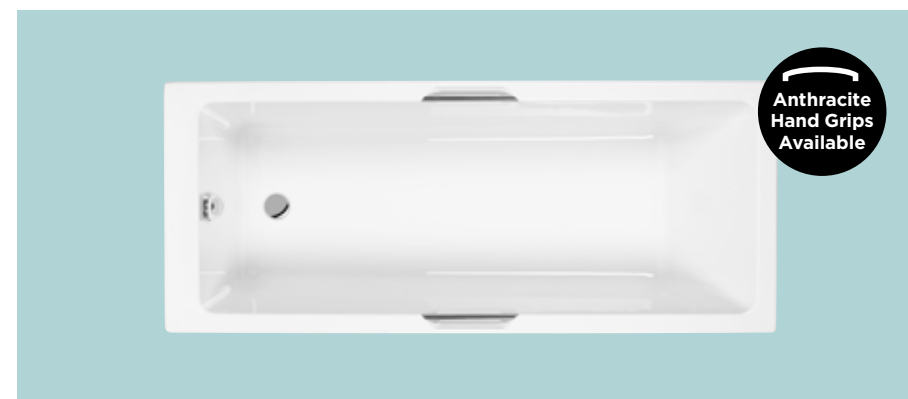
**KIT REF:** Standard - AK-02  
Carronite - AK-02-C

**SIZES:** 1500x700, 1600x700,  
1650x700, 1700x700

## Quantum Integra

Length. **1650mm** | Width. **700mm** | Height. **515mm**

	5mm	Code	Carronite	Code
<b>Quantum Integra</b>	<b>£403</b>	<b>02523</b>	<b>£646</b>	<b>02524</b>
L-Shaped Panel (1650x700x515)	-	-	£366	02531
Front Panel (1650x515)	£128	02282	£186	02268
End Panel (700x515)	£102	02285	£135	02271
Screen CFS-1 (H=1400mm)	£360	02344	£360	02344
Screen CFS-2 (H=1500mm)	£385	02346	£385	02346
Anthracite Integra Hand Grips (additional cost)	+£60	02549	+£60	02549



**FEATURES:** **C** Carronite **P** Panel  
**H** Hand Grips **W** Whirlpool

**CAPACITY:** 216 Litres

**WHIRLPOOL:** Systems ① ④

**KIT REF:** Standard - AK-01  
Carronite - AK-01-C

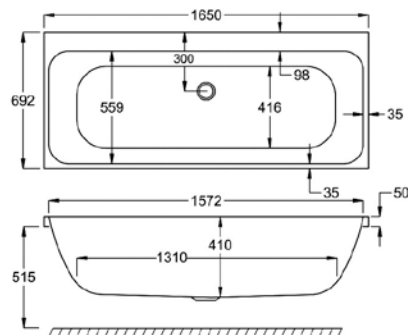
**SIZES:** 1500x700, 1600x700,  
1650x700, 1700x700,  
1700x750, 1700x800,  
1750x750, 1800x800



## Profile DE

Length. **1650mm** | Width. **700mm** | Height. **515mm**

	5mm	Code	Carronite	Code
<b>Profile DE</b>	<b>£401</b>	<b>02521</b>	<b>£684</b>	<b>02522</b>
L-Shaped Panel (1650x700x515)	-	-	£366	02531
Front Panel (1650x515)	£128	02282	£186	02268
End Panel (700x515)	£102	02285	£135	02271
Screen CFS-1 (H=1400mm)	£360	02344	£360	02344
Screen CFS-2 (H=1500mm)	£385	02346	£385	02346



**FEATURES:** **C** Carronite **P** Panel

**CAPACITY:** 196 Litres

**WHIRLPOOL:** N/A

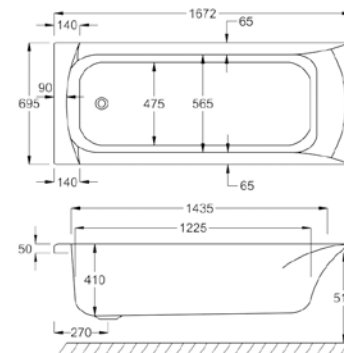
**KIT REF:** Standard - AK-01  
Carronite - AK-01-C

**SIZES:** 1600x700, 1600x800,  
1650x700, 1700x700,  
1700x750, 1750x750,  
1800x700

## Delta

Length. **1675mm** | Width. **700mm** | Height. **515mm**

	5mm	Code	Carronite	Code
<b>Delta</b>	<b>£418</b>	<b>02063</b>	<b>£689</b>	<b>02064</b>
L-Shaped Panel (1675x700x515)	-	-	£366	02568
Front Panel (1675x515)	£128	02283	£186	02269
End Panel (700x515)	£102	02285	£135	02271
Screen CFS-1 (H=1400mm)	£360	02344	£360	02344
Screen CFS-2 (H=1500mm)	£385	02346	£385	02346
Grips CCG-1	£59	02357	£59	02357



**FEATURES:** **C** Carronite **P** Panel  
**H** Hand Grips **W** Whirlpool

**CAPACITY:** 170 Litres

**WHIRLPOOL:** Systems ① ② ③ ④ ⑤ ⑥

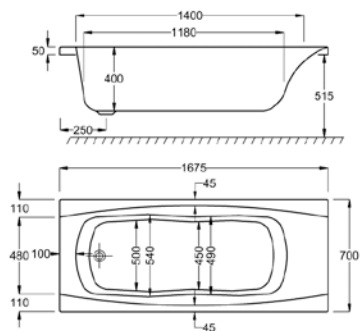
**KIT REF:** Standard - AK-01  
Carronite - AK-01-C

**SIZES:** 1400x700, 1500x700,  
1600x700, 1650x700,  
1675x700, 1700x700

## Imperial TG

Length. **1675mm** | Width. **700mm** | Height. **515mm**

	5mm	Code	Carronite	Code
<b>Imperial TG</b>	<b>£340</b>	<b>02112</b>	<b>£582</b>	<b>02113</b>
L-Shaped Panel (1675x700x515)	-	-	£366	02568
Front Panel (1675x515)	£128	02283	£186	02269
End Panel (700x515)	£102	02285	£135	02271
Screen CFS-1 (H=1400mm)	£360	02344	£360	02344
Screen CFS-2 (H=1500mm)	£385	02346	£385	02346



**FEATURES:** **C** Carronite **P** Panel  
**H** Hand Grips **W** Whirlpool

**CAPACITY:** 180 Litres

**WHIRLPOOL:** Systems ① ② ③ ④ ⑤ ⑥

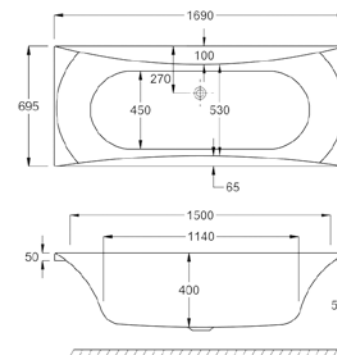
**KIT REF:** Standard - AK-01  
Carronite - AK-01-C

**SIZES:** 1400x700, 1500x700,  
1600x700, 1675x700,  
1700x700, 1800x750

## Alpha

Length. **1700mm** | Width. **700mm** | Height. **515mm**

	5mm	Code	Carronite	Code
<b>Alpha</b>	<b>£419</b>	<b>02005</b>	<b>£636</b>	<b>02006</b>
L-Shaped Panel (1700x700x515)	-	-	£366	02299
Front Panel (1700x515)	£128	02320	£186	02321
End Panel (700x515)	£102	02285	£135	02271



**FEATURES:** **C** Carronite **P** Panel  
**W** Whirlpool

**CAPACITY:** 160 Litres

**WHIRLPOOL:** Systems ① ② ③ ④ ⑤ ⑥

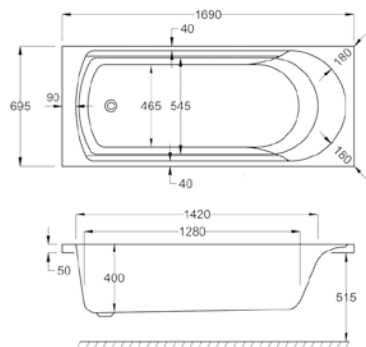
**KIT REF:** Standard - AK-01  
Carronite - AK-01-C

**SIZES:** 1700x700, 1700x750,  
1800x800

## Arc SE

Length. **1700mm** | Width. **700mm** | Height. **515mm**

	5mm	Code	Carronite	Code
<b>Arc SE</b>	<b>£324</b>	<b>02013</b>	<b>£575</b>	<b>02014</b>
L-Shaped Panel (1700x700x515)	-	-	£366	02299
Front Panel (1700x515)	£128	02320	£186	02321
End Panel (700x515)	£102	02285	£135	02271
Screen CFS-1 (H=1400mm)	£360	02344	£360	02344
Screen CFS-2 (H=1500mm)	£385	02346	£385	02346
Grips CCG-2	£46	02356	£46	02356



**FEATURES:** **C** Carronite **P** Panel  
**H** Hand Grips **W** Whirlpool

**CAPACITY:** 172 Litres

**WHIRLPOOL:** Systems ① ② ③ ④ ⑤ ⑥

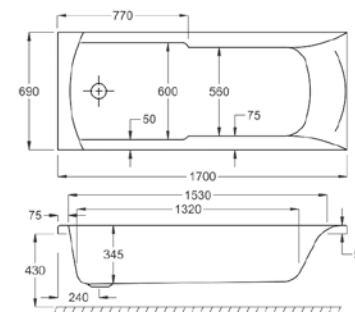
**KIT REF:** Standard - AK-01  
Carronite - AK-01-C

**SIZES:** 1500x700, 1700x700,  
1700x750

## Axis

Length. **1700mm** | Width. **700mm** | Height. **430mm**

	5mm	Code	Carronite	Code
<b>Axis</b>	<b>£346</b>	<b>02037</b>	<b>£602</b>	<b>02038</b>
L-Shaped Panel (1700x700x430)	-	-	£366	02501
Front Panel (1700x430)	£128	02256	£186	02257
End Panel (700x430)	£102	02258	£135	02259
Screen CFS-1 (H=1400mm)	£360	02344	£360	02344
Screen CFS-2 (H=1500mm)	£385	02346	£385	02346
Grips CCG-2	£46	02356	£46	02356



**FEATURES:** **C** Carronite **P** Panel  
**H** Hand Grips **A** Accessible  
**S** Water Saver

**CAPACITY:** 145 Litres

**WHIRLPOOL:** N/A

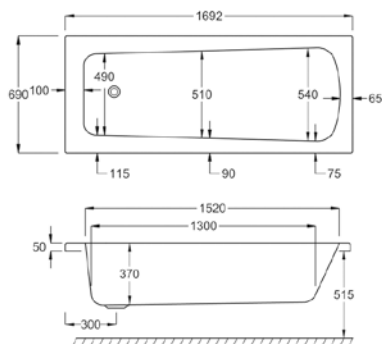
**KIT REF:** Standard - AK-01  
Carronite - AK-01-C

**SIZES:** 1500x700, 1600x700,  
1650x700, 1700x700

## Britannia

Length. **1700mm** | Width. **700mm** | Height. **515mm**

	5mm	Code	Carronite	Code
<b>Britannia</b>	<b>£344</b>	<b>02043</b>	<b>£517</b>	<b>02044</b>
L-Shaped Panel (1700x700x515)	-	-	£366	02299
Front Panel (1700x515)	£128	02320	£186	02321
End Panel (700x515)	£102	02285	£135	02271
Screen CFS-1 (H=1400mm)	£360	02344	£360	02344
Screen CFS-2 (H=1500mm)	£385	02346	£385	02346



**FEATURES:** **C** Carronite **P** Panel

**CAPACITY:** 155 Litres

**WHIRLPOOL:** N/A

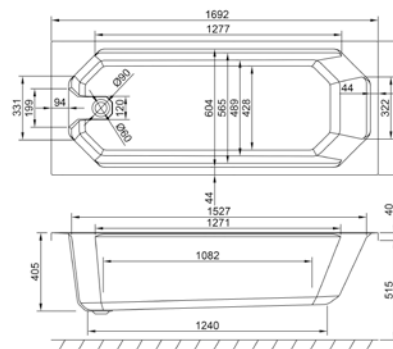
**KIT REF:** Standard - AK-02  
Carronite - AK-02-C

**SIZES:** 1700x700, 1700x750,  
1800x800

## Camden SE

Length. **1700mm** | Width. **700mm** | Height. **515mm**

	5mm	Code	Carronite	Code
<b>Camden SE</b>	<b>£401</b>	<b>02559</b>	<b>£684</b>	<b>02560</b>
L-Shaped Panel (1700x700x515)	-	-	£366	02299
Front Panel (1700x515)	£128	02320	£186	02321
End Panel (700x515)	£102	02285	£135	02271
Screen CFS-1 (H=1400mm)	£360	02344	£360	02344
Screen CFS-2 (H=1500mm)	£385	02346	£385	02346



**FEATURES:** **C** Carronite **P** Panel

**CAPACITY:** 209 Litres

**WHIRLPOOL:** N/A

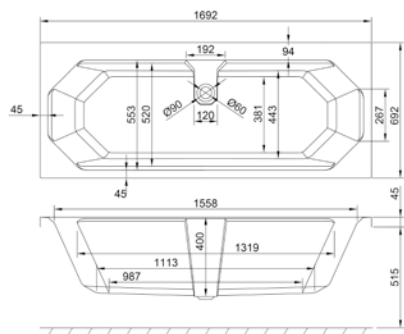
**KIT REF:** Standard - AK-01  
Carronite - AK-01-C

**SIZES:** 1600x700, 1650x700,  
1700x700

## Camden DE

Length. **1700mm** | Width. **700mm** | Height. **515mm**

	5mm	Code	Carronite	Code
<b>Camden DE</b>	<b>£401</b>	<b>02609</b>	<b>£684</b>	<b>02610</b>
L-Shaped Panel (1700x700x515)	-	-	£366	02299
Front Panel (1700x515)	£128	02320	£186	02321
End Panel (700x515)	£102	02285	£135	02271
Screen CFS-1 (H=1400mm)	£360	02344	£360	02344
Screen CFS-2 (H=1500mm)	£385	02346	£385	02346



**FEATURES:** **C** Carronite **P** Panel

**CAPACITY:** 190 Litres

**WHIRLPOOL:** N/A

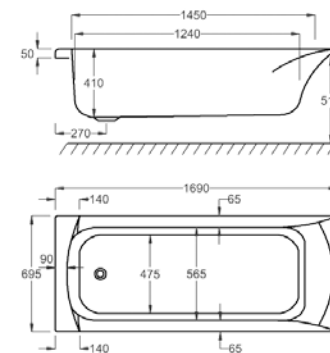
**KIT REF:** Standard - AK-01  
Carronite - AK-01-C

**SIZES:** 1700x700, 1700x750,  
1750x750

## Delta

Length. **1700mm** | Width. **700mm** | Height. **515mm**

	5mm	Code	Carronite	Code
<b>Delta</b>	<b>£418</b>	<b>02067</b>	<b>£689</b>	<b>02068</b>
L-Shaped Panel (1700x700x515)	-	-	£366	02299
Front Panel (1700x515)	£128	02320	£186	02321
End Panel (700x515)	£102	02285	£135	02271
Screen CFS-1 (H=1400mm)	£360	02344	£360	02344
Screen CFS-2 (H=1500mm)	£385	02346	£385	02346
Grips CCG-1	£59	02357	£59	02357



**FEATURES:** **C** Carronite **P** Panel  
**H** Hand Grips **W** Whirlpool

**CAPACITY:** 170 Litres

**WHIRLPOOL:** Systems ① ② ③ ④ ⑤ ⑥

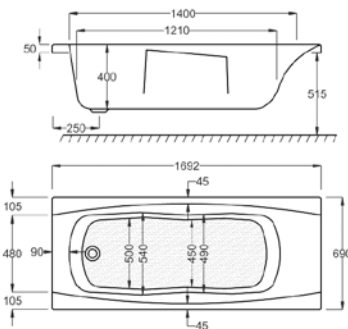
**KIT REF:** Standard - AK-01  
Carronite - AK-01-C

**SIZES:** 1400x700, 1500x700,  
1600x700, 1650x700,  
1675x700, 1700x700

## Imperial TG

Length. **1700mm** | Width. **700mm** | Height. **515mm**

	5mm	Code	Carronite	Code
<b>Imperial TG</b>	<b>£340</b>	<b>02114</b>	<b>£582</b>	<b>02115</b>
L-Shaped Panel (1700x700x515)	-	-	£366	02299
Front Panel (1700x515)	£128	02320	£186	02321
End Panel (700x515)	£102	02285	£135	02271
Screen CFS-1 (H=1400mm)	£360	02344	£360	02344
Screen CFS-2 (H=1500mm)	£385	02346	£385	02346



**FEATURES:** **C** Carronite **P** Panel  
**H** Hand Grips **W** Whirlpool

**CAPACITY:** 180 Litres

**WHIRLPOOL:** Systems ① ② ③ ④ ⑤ ⑥

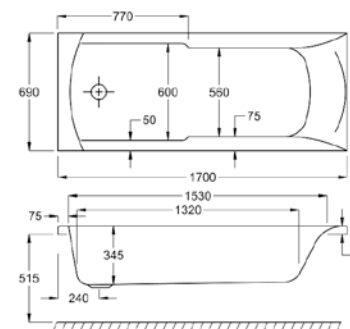
**KIT REF:** Standard - AK-01  
Carronite - AK-01-C

**SIZES:** 1400x700, 1500x700,  
1600x700, 1675x700,  
1700x700, 1800x750

## Matrix

Length. **1700mm** | Width. **700mm** | Height. **515mm**

	5mm	Code	Carronite	Code
<b>Matrix</b>	<b>£346</b>	<b>02126</b>	<b>£602</b>	<b>02127</b>
L-Shaped Panel (1700x700x515)	-	-	£366	02299
Front Panel (1700x515)	£128	02320	£186	02321
End Panel (700x515)	£102	02285	£135	02271
Screen CFS-1 (H=1400mm)	£360	02344	£360	02344
Screen CFS-2 (H=1500mm)	£385	02346	£385	02346
Grips CCG-2	£46	02356	£46	02356



**FEATURES:** **C** Carronite **P** Panel  
**H** Hand Grips  
**S** Water Saver

**CAPACITY:** 145 Litres

**WHIRLPOOL:** N/A

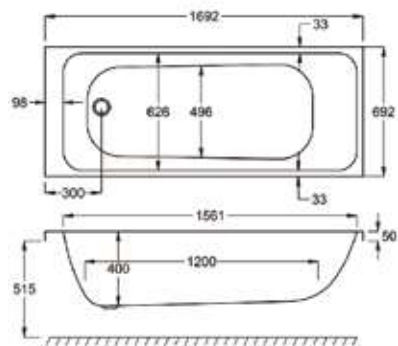
**KIT REF:** Standard - AK-02  
Carronite - AK-02-C

**SIZES:** 1500x700, 1600x700,  
1650x700, 1700x700

## Profile SE

Length. **1700mm** | Width. **700mm** | Height. **515mm**

	5mm	Code	Carronite	Code
<b>Profile SE</b>	<b>£401</b>	<b>02422</b>	<b>£684</b>	<b>02423</b>
L-Shaped Panel (1700x700x515)	-	-	£366	02299
Front Panel (1700x515)	£128	02320	£186	02321
End Panel (700x515)	£102	02285	£135	02271
Screen CFS-1 (H=1400mm)	£360	02344	£360	02344
Screen CFS-2 (H=1500mm)	£385	02346	£385	02346



**FEATURES:** **C** Carronite **P** Panel

**CAPACITY:** 218 Litres

**WHIRLPOOL:** N/A

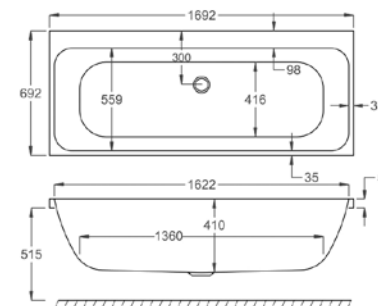
**KIT REF:** Standard - AK-01  
Carronite - AK-01-C

**SIZES:** 1500x700, 1600x700,  
1700x700, 1700x750,  
1750x750, 1800x700

## Profile DE

Length. **1700mm** | Width. **700mm** | Height. **515mm**

	5mm	Code	Carronite	Code
<b>Profile DE</b>	<b>£401</b>	<b>02191</b>	<b>£684</b>	<b>02192</b>
L-Shaped Panel (1700x700x515)	-	-	£366	02299
Front Panel (1700x515)	£128	02320	£186	02321
End Panel (700x515)	£102	02285	£135	02271
Screen CFS-1 (H=1400mm)	£360	02344	£360	02344
Screen CFS-2 (H=1500mm)	£385	02346	£385	02346



**FEATURES:** **C** Carronite **P** Panel

**CAPACITY:** 205 Litres

**WHIRLPOOL:** N/A

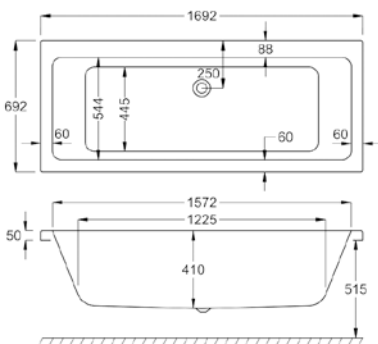
**KIT REF:** Standard - AK-01  
Carronite - AK-01-C

**SIZES:** 1600x700, 1600x800,  
1650x700, 1700x700,  
1700x750, 1750x750,  
1800x700

## Quantum DE

Length. **1700mm** | Width. **700mm** | Height. **515mm**

	5mm	Code	Carronite	Code
<b>Quantum DE</b>	<b>£346</b>	<b>02159</b>	<b>£604</b>	<b>02160</b>
L-Shaped Panel (1700x700x515)	-	-	£366	02299
Front Panel (1700x515)	£128	02320	£186	02321
End Panel (700x515)	£102	02285	£135	02271
Screen CFS-1 (H=1400mm)	£360	02344	£360	02344
Screen CFS-2 (H=1500mm)	£385	02346	£385	02346



**FEATURES:** **C** Carronite **P** Panel  
**W** Whirlpool

**CAPACITY:** 165 Litres

**WHIRLPOOL:** Systems ① ④

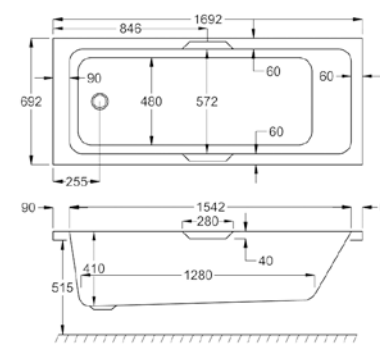
**KIT REF:** Standard - AK-01  
Carronite - AK-01-C

**SIZES:** 1700x700, 1700x750,  
1700x800, 1800x800,  
1900x900

## Quantum Integra

Length. **1700mm** | Width. **700mm** | Height. **515mm**

	5mm	Code	Carronite	Code
<b>Quantum Integra</b>	<b>£403</b>	<b>02169</b>	<b>£646</b>	<b>02170</b>
L-Shaped Panel (1700x700x515)	-	-	£366	02299
Front Panel (1700x515)	£128	02320	£186	02321
End Panel (700x515)	£102	02285	£135	02271
Screen CFS-1 (H=1400mm)	£360	02344	£360	02344
Screen CFS-2 (H=1500mm)	£385	02346	£385	02346
Anthracite Integra Hand Grips (additional cost)	+£60	02549	+£60	02549



**FEATURES:** **C** Carronite **P** Panel  
**H** Hand Grips **W** Whirlpool

**CAPACITY:** 228 Litres

**WHIRLPOOL:** Systems ① ④

**KIT REF:** Standard - AK-01  
Carronite - AK-01-C

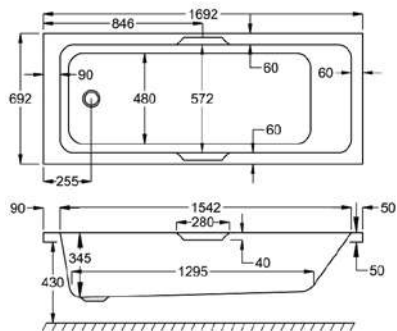
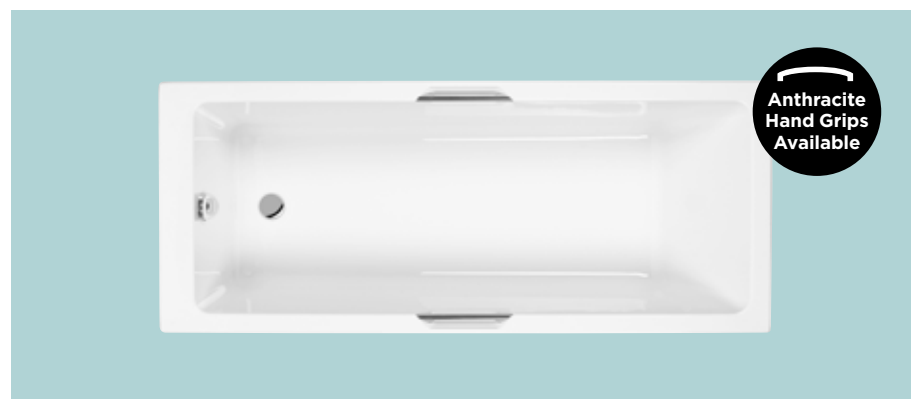
**SIZES:** 1500x700, 1600x700,  
1650x700, 1700x700,  
1700x750, 1700x800,  
1750x750, 1800x800



## Quantum Integra Eco 430

Length. **1700mm** | Width. **700mm** | Height. **430mm**

	5mm	Code	Carronite	Code
<b>Quantum Integra Eco 430</b>	<b>£403</b>	<b>02402</b>	<b>£646</b>	<b>02403</b>
L-Shaped Panel (1700x700x430)	-	-	£366	02501
Front Panel (1700x430)	£128	02256	£186	02257
End Panel (700x430)	£102	02258	£135	02259
Screen CFS-1 (H=1400mm)	£360	02344	£360	02344
Screen CFS-2 (H=1500mm)	£385	02346	£385	02346
Anthracite Integra Hand Grips (additional cost)	+£60	02549	+£60	02549



**FEATURES:** **C** Carronite **P** Panel  
**H** Hand Grips **A** Accessible  
**S** Water Saver

**CAPACITY:** 174 Litres

**WHIRLPOOL:** N/A

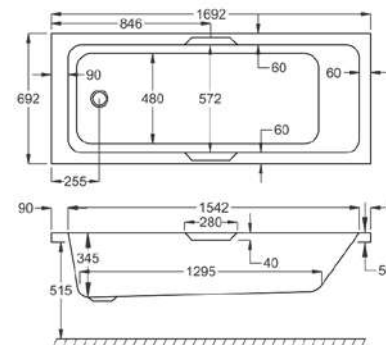
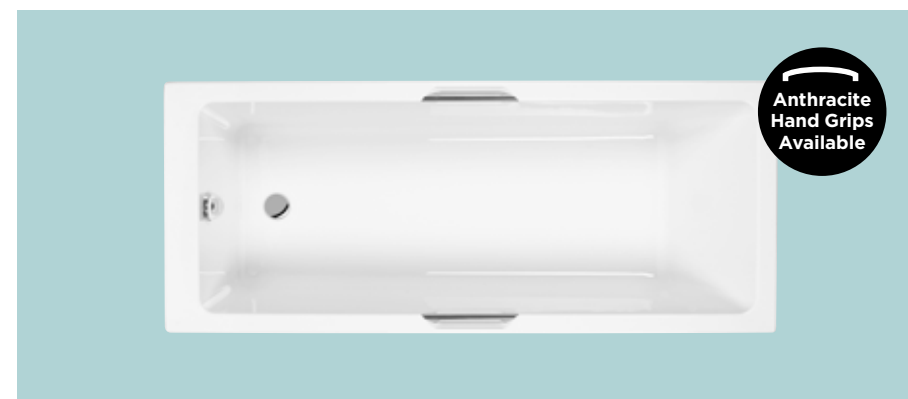
**KIT REF:** Standard - AK-01  
Carronite - AK-01-C

**SIZES:** 1500x700 (H=430),  
1600x700 (H=430),  
1700x700 (H=430)

## Quantum Integra Eco 515

Length. **1700mm** | Width. **700mm** | Height. **515mm**

	5mm	Code	Carronite	Code
<b>Quantum Integra Eco 515</b>	<b>£403</b>	<b>02402*</b>	<b>£646</b>	<b>02403*</b>
L-Shaped Panel (1700x700x515)	-	-	£366	02299
Front Panel (1700x515)	£128	02320	£186	02321
End Panel (700x515)	£102	02285	£135	02271
Screen CFS-1 (H=1400mm)	£360	02344	£360	02344
Screen CFS-2 (H=1500mm)	£385	02346	£385	02346
Anthracite Integra Hand Grips (additional cost)	+£60	02549	+£60	02549



**FEATURES:** **C** Carronite **P** Panel  
**H** Hand Grips  
**S** Water Saver

**CAPACITY:** 174 Litres

**WHIRLPOOL:** N/A

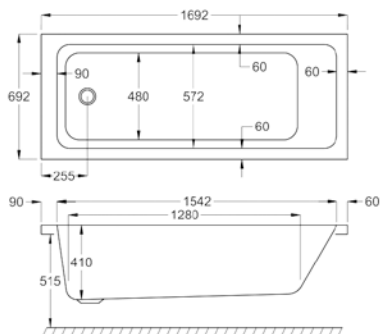
**KIT REF:** Standard - AK-02  
Carronite - AK-02-C

**SIZES:** 1500x700 (H=515),  
1600x700 (H=515),  
1700x700 (H=515)

## Quantum SE

Length. **1700mm** | Width. **700mm** | Height. **515mm**

	5mm	Code	Carronite	Code
<b>Quantum SE</b>	<b>£346</b>	<b>02151</b>	<b>£604</b>	<b>02152</b>
L-Shaped Panel (1700x700x515)	-	-	£366	02299
Front Panel (1700x515)	£128	02320	£186	02321
End Panel (700x515)	£102	02285	£135	02271
Screen CFS-1 (H=1400mm)	£360	02344	£360	02344
Screen CFS-2 (H=1500mm)	£385	02346	£385	02346



**FEATURES:** **C** Carronite **P** Panel  
**W** Whirlpool

**CAPACITY:** 228 Litres

**WHIRLPOOL:** Systems ① ④

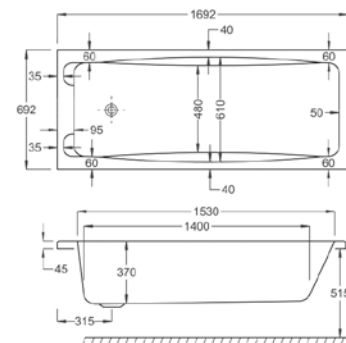
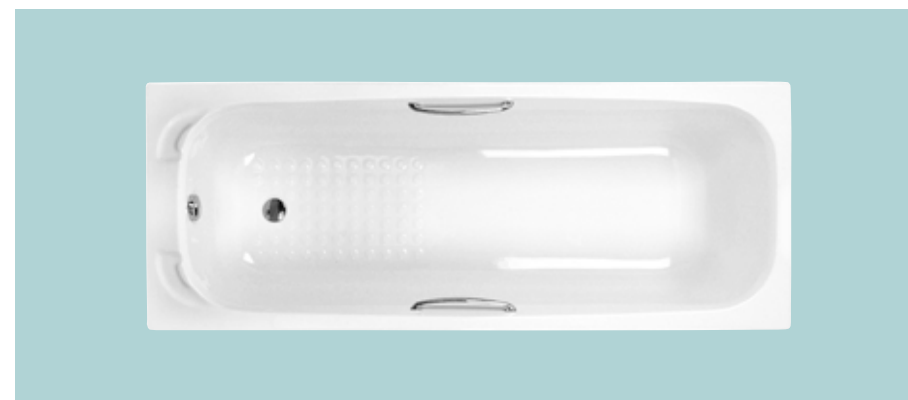
**KIT REF:** Standard - AK-01  
Carronite - AK-01-C

**SIZES:** 1500x700, 1575x700,  
1600x700, 1600x800,  
1700x700, 1700x750,  
1700x800, 1700x900,  
1800x725, 1800x800

## Swallow TG

Length. **1700mm** | Width. **700mm** | Height. **515mm**

	8mm	Code	5mm	Code	Carronite	Code
<b>Swallow TG</b>	<b>£408</b>	<b>02223</b>	<b>£311</b>	<b>02221</b>	<b>£591</b>	<b>02222</b>
L-Shaped Panel (1700x700x515)	-	-	-	-	£366	02299
Front Panel (1700x515)	-	-	£128	02320	£186	02321
End Panel (700x515)	-	-	£102	02285	£135	02271
Screen CFS-1 (H=1400mm)	-	-	£360	02344	£360	02344
Screen CFS-2 (H=1500mm)	-	-	£385	02346	£385	02346



**FEATURES:** **C** Carronite **P** Panel  
**H** Hand Grips

**CAPACITY:** 182 Litres

**WHIRLPOOL:** N/A

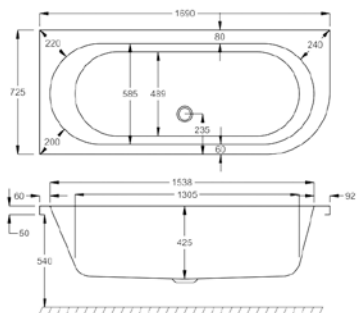
**KIT REF:** Standard - AK-02  
Carronite - AK-02-C

**SIZES:** 1700x700, 1800x700

## Status

Length. **1700mm** | Width. **725mm** | Height. **540mm**

	5mm	Code	Carronite	Code
<b>Status (LH)</b>	<b>£567</b>	<b>02213</b>	<b>£920</b>	<b>02214</b>
<b>Status (RH)</b>	<b>£567</b>	<b>02215</b>	<b>£920</b>	<b>02216</b>
Front Panel 725	£258	02336	£365	02337
Screen CFS-1 (H=1400mm)	£360	02344	£360	02344
Screen CFS-2 (H=1500mm)	£385	02346	£385	02346



**FEATURES:** **C** Carronite **P** Panel  
**W** Whirlpool

**CAPACITY:** 205 Litres

**WHIRLPOOL:** Systems ① ④

**KIT REF:** Standard - AK-01  
Carronite - AK-01-C

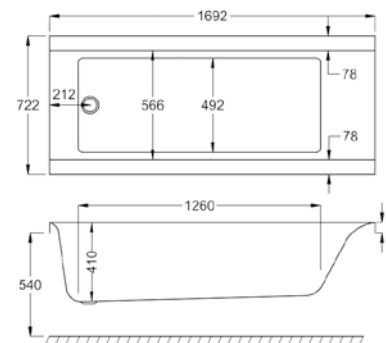
**SIZES:** 1600x725, 1700x725,  
1700x800

Available in right or left hand. Right hand shown.

## Urban

Length. **1700mm** | Width. **725mm** | Height. **540mm**

	5mm	Code	Carronite	Code
<b>Urban</b>	<b>£426</b>	<b>02363</b>	<b>£648</b>	<b>02364</b>
L-Shaped Panel (1700x725x540)	-	-	£366	02570
Front Panel (1700x540)	£144	02318	£195	02319
End Panel (725x540)	£102	02287	£135	02307
Screen CFS-1 (H=1400mm)	£360	02344	£360	02344
Screen CFS-2 (H=1500mm)	£385	02346	£385	02346



**FEATURES:** **C** Carronite **P** Panel  
**W** Whirlpool

**CAPACITY:** 224 Litres

**WHIRLPOOL:** Systems ① ② ③ ④ ⑤ ⑥

**KIT REF:** Standard - AK-01  
Carronite - AK-01-C

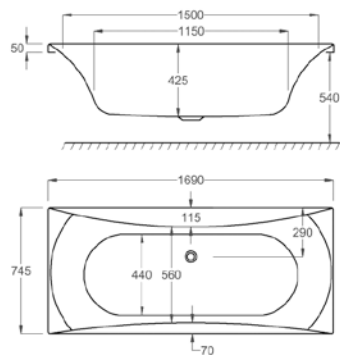
**SIZES:** 1700x725

The Urban Bath accommodates tap holes on side ledge only.

## Alpha

Length. **1700mm** | Width. **750mm** | Height. **540mm**

	5mm	Code	Carronite	Code
<b>Alpha</b>	<b>£504</b>	<b>02007</b>	<b>£741</b>	<b>02008</b>
L-Shaped Panel (1700x750x540)	-	-	£366	02300
Front Panel (1700x540)	£144	02318	£195	02319
End Panel (750x540)	£102	02289	£135	02275



**FEATURES:** **C** Carronite **P** Panel  
**W** Whirlpool

**CAPACITY:** 175 Litres

**WHIRLPOOL:** Systems ① ② ③ ④ ⑤ ⑥

**KIT REF:** Standard - AK-01  
Carronite - AK-01-C

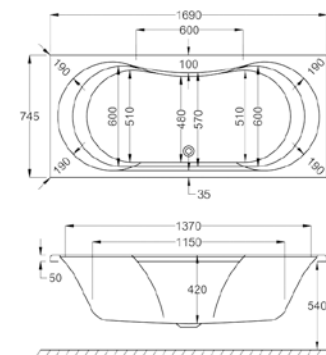
**SIZES:** 1700x700, 1700x750,  
1800x800

Also available in a Freestanding Bath option - see page 159 for more details.

## Arc DE

Length. **1700mm** | Width. **750mm** | Height. **540mm**

	5mm	Code	Carronite	Code
<b>Arc DE</b>	<b>£423</b>	<b>02017</b>	<b>£667</b>	<b>02018</b>
L-Shaped Panel (1700x750x540)	-	-	£366	02300
Front Panel (1700x540)	£144	02318	£195	02319
End Panel (750x540)	£102	02289	£135	02275



**FEATURES:** **C** Carronite **P** Panel  
**W** Whirlpool

**CAPACITY:** 190 Litres

**WHIRLPOOL:** Systems ① ② ③ ④ ⑤ ⑥

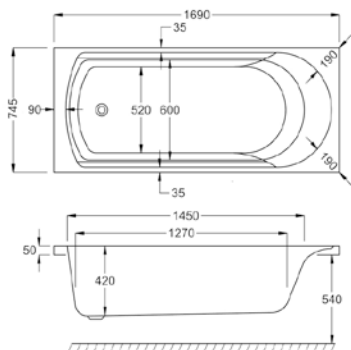
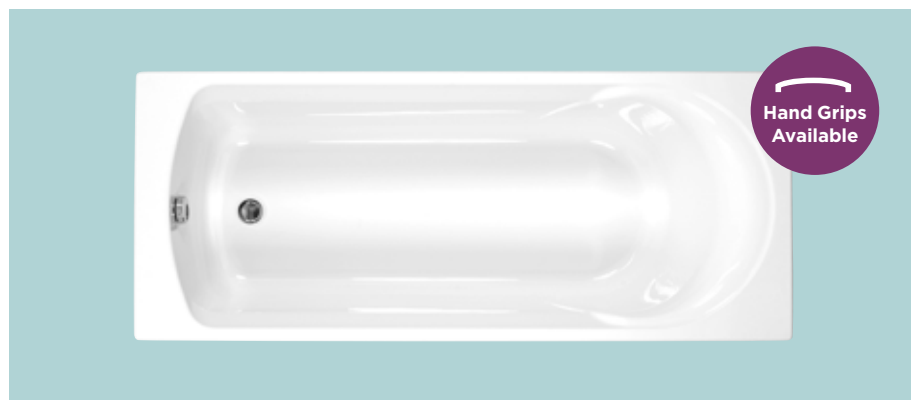
**KIT REF:** Standard - AK-01  
Carronite - AK-01-C

**SIZES:** 1700x750, 1800x800

## Arc SE

Length. **1700mm** | Width. **750mm** | Height. **540mm**

	5mm	Code	Carronite	Code
<b>Arc SE</b>	<b>£423</b>	<b>02015</b>	<b>£667</b>	<b>02016</b>
L-Shaped Panel (1700x750x540)	-	-	£366	02300
Front Panel (1700x540)	£144	02318	£195	02319
End Panel (750x540)	£102	02289	£135	02275
Screen CFS-1 (H=1400mm)	£360	02344	£360	02344
Screen CFS-2 (H=1500mm)	£385	02346	£385	02346
Grips CCG-2	£46	02356	£46	02356



**FEATURES:** **C** Carronite **P** Panel  
**H** Hand Grips **W** Whirlpool

**CAPACITY:** 195 Litres

**WHIRLPOOL:** Systems ① ② ③ ④ ⑤ ⑥

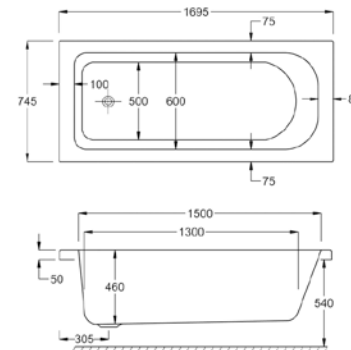
**KIT REF:** Standard - AK-01  
Carronite - AK-01-C

**SIZES:** 1500x700, 1700x700,  
1700x750

## Britannia

Length. **1700mm** | Width. **750mm** | Height. **540mm**

	5mm	Code	Carronite	Code
<b>Britannia</b>	<b>£589</b>	<b>02045</b>	<b>£792</b>	<b>02046</b>
L-Shaped Panel (1700x750x540)	-	-	£366	02300
Front Panel (1700x540)	£144	02318	£195	02319
End Panel (750x540)	£102	02289	£135	02275



**FEATURES:** **C** Carronite **P** Panel  
**W** Whirlpool

**CAPACITY:** 210 Litres

**WHIRLPOOL:** Systems ① ④

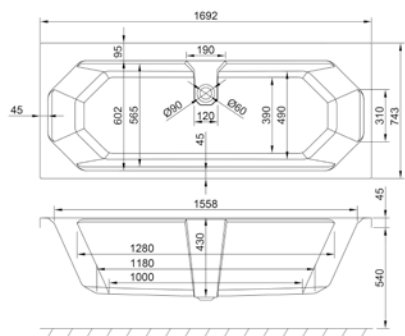
**KIT REF:** Standard - AK-01  
Carronite - AK-01-C

**SIZES:** 1700x700, 1700x750,  
1800x800

## Camden DE

Length. **1700mm** | Width. **750mm** | Height. **540mm**

	5mm	Code	Carronite	Code
<b>Camden DE</b>	<b>£501</b>	<b>02611</b>	<b>£799</b>	<b>02612</b>
L-Shaped Panel (1700x750x540)	-	-	£366	02300
Front Panel (1700x540)	£144	02318	£195	02319
End Panel (750x540)	£102	02289	£135	02275
Screen CFS-1 (H=1400mm)	£360	02344	£360	02344
Screen CFS-2 (H=1500mm)	£385	02346	£385	02346



**FEATURES:** **C** Carronite **P** Panel

**CAPACITY:** 203 Litres

**WHIRLPOOL:** N/A

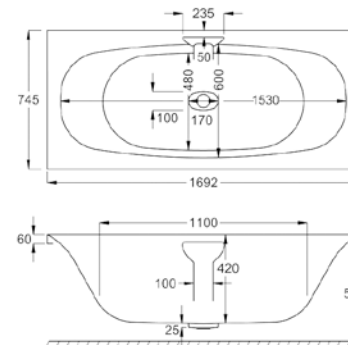
**KIT REF:** Standard - AK-01  
Carronite - AK-01-C

**SIZES:** 1700x700, 1700x750,  
1750x750

## Echelon (includes filler)

Length. **1700mm** | Width. **750mm** | Height. **540mm**

	5mm	Code	Carronite	Code
<b>Echelon (includes filler)</b>	<b>£984</b>	<b>02079</b>	<b>£1,252</b>	<b>02080</b>
L-Shaped Panel (1700x750x540)	-	-	£366	02300
Front Panel (1700x540)	£144	02318	£195	02319
End Panel (750x540)	£102	02289	£135	02275



**FEATURES:** **C** Carronite **P** Panel

**CAPACITY:** 209 Litres

**WHIRLPOOL:** N/A

**KIT REF:** Standard - AK-01  
Carronite - AK-01-C

**SIZES:** 1700x750, 1800x800

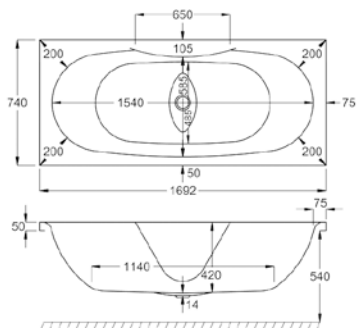
Also available in a Freestanding Bath option - see page 159 for more details.

\*Min 1.5 bar pressure required.

## Equation

Length. **1700mm** | Width. **750mm** | Height. **540mm**

	5mm	Code	Carronite	Code
<b>Equation</b>	<b>£537</b>	<b>02090</b>	<b>£756</b>	<b>02091</b>
L-Shaped Panel (1700x750x540)	-	-	£366	02300
Front Panel (1700x540)	£144	02318	£195	02319
End Panel (750x540)	£102	02289	£135	02275



**FEATURES:** **C** Carronite **P** Panel  
**W** Whirlpool

**CAPACITY:** 205 Litres

**WHIRLPOOL:** Systems ① ② ③ ④ ⑤ ⑥

**KIT REF:** Standard - AK-01  
Carronite - AK-01-C

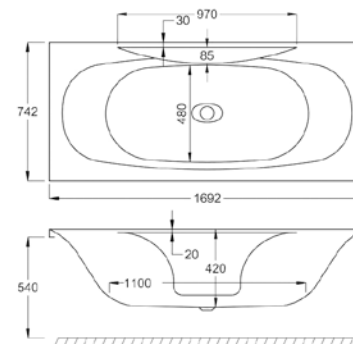
**SIZES:** 1700x750, 1800x800

Also available in a Freestanding Bath option - see page 159 for more details.

## Equity

Length. **1700mm** | Width. **750mm** | Height. **540mm**

	5mm	Code	Carronite	Code
<b>Equity</b>	<b>£677</b>	<b>02359</b>	<b>£988</b>	<b>02360</b>
L-Shaped Panel (1700x750x540)	-	-	£366	02300
Front Panel (1700x540)	£144	02318	£195	02319
End Panel (750x540)	£102	02289	£135	02275



**FEATURES:** **C** Carronite **P** Panel  
**W** Whirlpool

**CAPACITY:** 204 Litres

**WHIRLPOOL:** Systems ① ② ③ ④ ⑤ ⑥

**KIT REF:** Standard - AK-01  
Carronite - AK-01-C

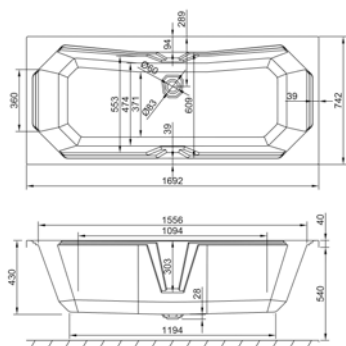
**SIZES:** 1700x750, 1800x800

Also available in a Freestanding Bath option - see page 159 for more details.

## Highgate DE

Length. **1700mm** | Width. **750mm** | Height. **540mm**

	Carronite	Code
<b>Highgate DE</b>	<b>£1,080</b>	<b>02536</b>
Highgate L-Shaped Panel (1700x750x540)	£360	02545
Highgate Front Panel (1700x540)	£213	02543
Etched Screen Left Hand (LH)	£313	02583
Etched Screen Right Hand (RH)	£313	02584
Grips (single)	£58	02548



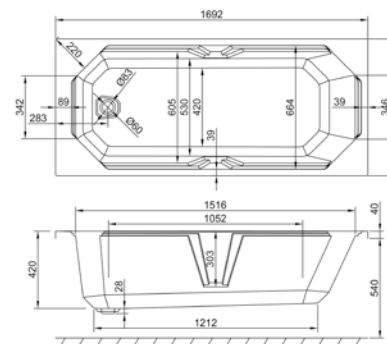
<b>FEATURES:</b>	<b>C</b> Carronite <b>P</b> Panel <b>H</b> Hand Grips
<b>CAPACITY:</b>	210 Litres
<b>WHIRLPOOL:</b>	N/A
<b>KIT REF:</b>	Carronite - AK-01-C
<b>SIZES:</b>	1700x750, 1800x800

\* Single grip option - fitted opposite overflow.

## Highgate SE

Length. **1700mm** | Width. **750mm** | Height. **540mm**

	Carronite	Code
<b>Highgate SE</b> (c/w pair grips)	<b>£1,080</b>	<b>02535</b>
Highgate L-Shaped Panel (1700x750x540)	£360	02545
Highgate Front Panel (1700x540)	£213	02543
Etched Screen Left Hand (LH)	£313	02583
Etched Screen Right Hand (RH)	£313	02584



<b>FEATURES:</b>	<b>C</b> Carronite <b>P</b> Panel <b>H</b> Hand Grips
<b>CAPACITY:</b>	216 Litres
<b>WHIRLPOOL:</b>	N/A
<b>KIT REF:</b>	Carronite - AK-01-C
<b>SIZES:</b>	1700x750, 1800x800

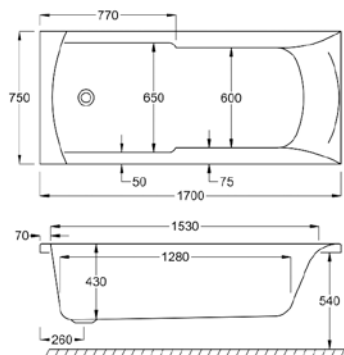
\* SE bath comes pre-drilled with grips.  
Plain option is available as a special order.



## Index

Length. **1700mm** | Width. **750mm** | Height. **540mm**

	5mm	Code	Carronite	Code
<b>Index</b>	<b>£559</b>	<b>02118</b>	<b>£816</b>	<b>02119</b>
L-Shaped Panel (1700x750x540)	-	-	£366	02300
Front Panel (1700x540)	£144	02318	£195	02319
End Panel (750x540)	£102	02289	£135	02275
Screen CFS-1 (H=1400mm)	£360	02344	£360	02344
Screen CFS-2 (H=1500mm)	£385	02346	£385	02346
Grips CCG-2	£46	02356	£46	02356



**FEATURES:** **C** Carronite **P** Panel  
**H** Hand Grips

**CAPACITY:** 195 Litres

**WHIRLPOOL:** N/A

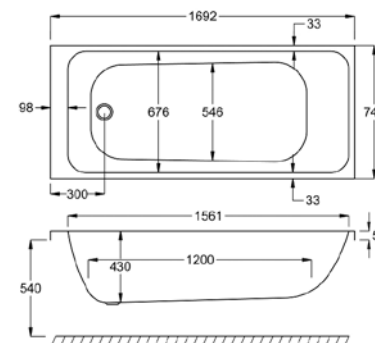
**KIT REF:** Standard - AK-01  
Carronite - AK-01-C

**SIZES:** 1700x750

## Profile SE

Length. **1700mm** | Width. **750mm** | Height. **540mm**

	5mm	Code	Carronite	Code
<b>Profile SE</b>	<b>£501</b>	<b>02424</b>	<b>£799</b>	<b>02425</b>
L-Shaped Panel (1700x750x540)	-	-	£366	02300
Front Panel (1700x540)	£144	02318	£195	02319
End Panel (750x540)	£102	02289	£135	02275
Screen CFS-1 (H=1400mm)	£360	02344	£360	02344
Screen CFS-2 (H=1500mm)	£385	02346	£385	02346



**FEATURES:** **C** Carronite **P** Panel

**CAPACITY:** 257 Litres

**WHIRLPOOL:** N/A

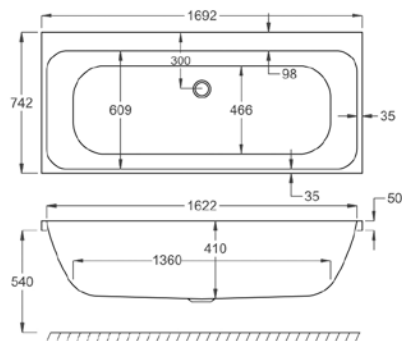
**KIT REF:** Standard - AK-01  
Carronite - AK-01-C

**SIZES:** 1500x700, 1600x700,  
1700x700, 1700x750,  
1750x750, 1800x700

## Profile DE

Length. **1700mm** | Width. **750mm** | Height. **540mm**

	5mm	Code	Carronite	Code
<b>Profile DE</b>	<b>£501</b>	<b>02195</b>	<b>£799</b>	<b>02196</b>
L-Shaped Panel (1700x750x540)	-	-	£366	02300
Front Panel (1700x540)	£144	02318	£195	02319
End Panel (750x540)	£102	02289	£135	02275
Screen CFS-1 (H=1400mm)	£360	02344	£360	02344
Screen CFS-2 (H=1500mm)	£385	02346	£385	02346



**FEATURES:** **C** Carronite **P** Panel

**CAPACITY:** 230 Litres

**WHIRLPOOL:** N/A

**KIT REF:** Standard - AK-01  
Carronite - AK-01-C

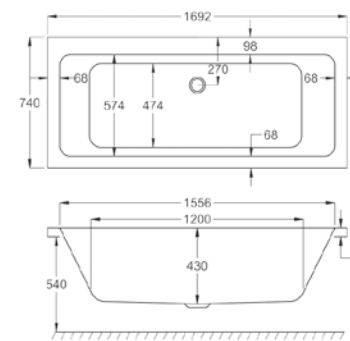
**SIZES:** 1600x700, 1600x800,  
1650x700, 1700x700,  
1700x750, 1750x750,  
1800x700

Also available in a Freestanding Bath option - see page 159 for more details.

## Quantum DE

Length. **1700mm** | Width. **750mm** | Height. **540mm**

	5mm	Code	Carronite	Code
<b>Quantum DE</b>	<b>£431</b>	<b>02157</b>	<b>£686</b>	<b>02158</b>
L-Shaped Panel (1700x750x540)	-	-	£366	02300
Front Panel (1700x540)	£144	02318	£195	02319
End Panel (750x540)	£102	02289	£135	02275
Screen CFS-1 (H=1400mm)	£360	02344	£360	02344
Screen CFS-2 (H=1500mm)	£385	02346	£385	02346



**FEATURES:** **C** Carronite **P** Panel  
**W** Whirlpool

**CAPACITY:** 190 Litres

**WHIRLPOOL:** Systems ① ④

**KIT REF:** Standard - AK-01  
Carronite - AK-01-C

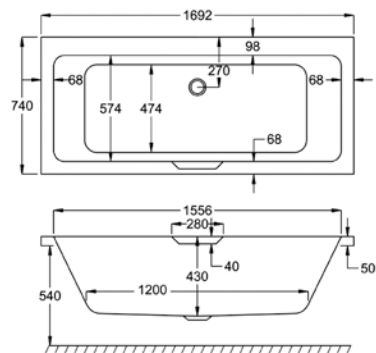
**SIZES:** 1700x700, 1700x750,  
1700x800, 1800x800,  
1900x900

Also available in a Freestanding Bath option - see page 159 for more details.

## Quantum Integra DE

Length. **1700mm** | Width. **750mm** | Height. **540mm**

	5mm	Code	Carronite	Code
<b>Quantum Integra DE</b>	<b>£496</b>	<b>02463</b>	<b>£739</b>	<b>02464</b>
L-Shaped Panel (1700x750x540)	-	-	£366	02300
Front Panel (1700x540)	£144	02318	£195	02319
End Panel (750x540)	£102	02289	£135	02275
Screen CFS-1 (H=1400mm)	£360	02344	£360	02344
Screen CFS-2 (H=1500mm)	£385	02346	£385	02346
Anthracite Integra Hand Grips (additional cost)	+£60	02549	+£60	02549



**FEATURES:** **C** Carronite **P** Panel  
**H** Hand Grips **W** Whirlpool

**CAPACITY:** 190 Litres

**WHIRLPOOL:** Systems ① ④

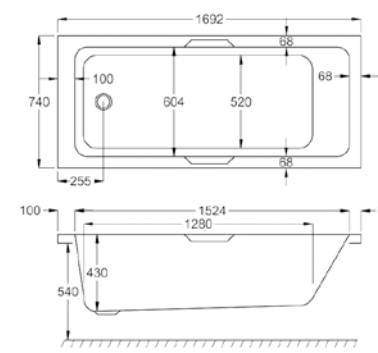
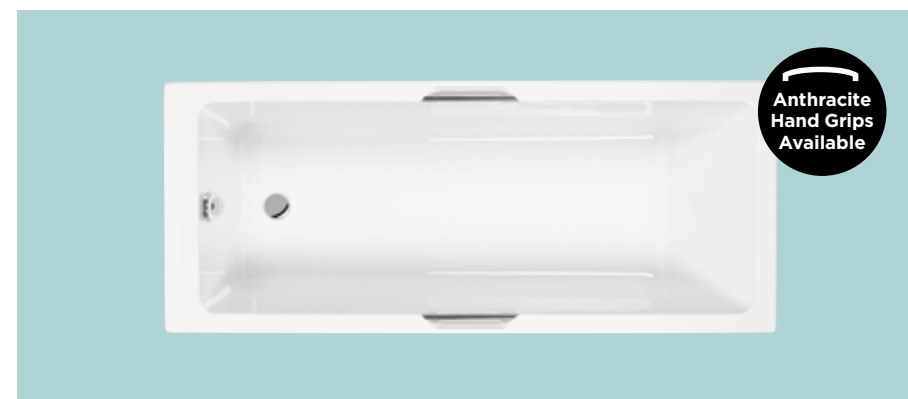
**KIT REF:** Standard - AK-01  
Carronite - AK-01-C

**SIZES:** 1700x750

## Quantum Integra

Length. **1700mm** | Width. **750mm** | Height. **540mm**

	5mm	Code	Carronite	Code
<b>Quantum Integra</b>	<b>£496</b>	<b>02171</b>	<b>£739</b>	<b>02172</b>
L-Shaped Panel (1700x750x540)	-	-	£366	02300
Front Panel (1700x540)	£144	02318	£195	02319
End Panel (750x540)	£102	02289	£135	02275
Screen CFS-1 (H=1400mm)	£360	02344	£360	02344
Screen CFS-2 (H=1500mm)	£385	02346	£385	02346
Anthracite Integra Hand Grips (additional cost)	+£60	02549	+£60	02549



**FEATURES:** **C** Carronite **P** Panel  
**H** Hand Grips **W** Whirlpool

**CAPACITY:** 240 Litres

**WHIRLPOOL:** Systems ① ② ③ ④ ⑤ ⑥

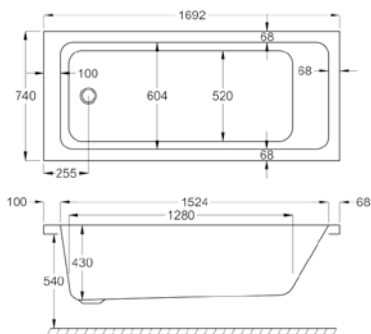
**KIT REF:** Standard - AK-01  
Carronite - AK-01-C

**SIZES:** 1500x700, 1600x700,  
1650x700, 1700x700,  
1700x750, 1700x800,  
1750x750, 1800x800

## Quantum SE

Length. **1700mm** | Width. **750mm** | Height. **540mm**

	5mm	Code	Carronite	Code
<b>Quantum SE</b>	<b>£431</b>	<b>02147</b>	<b>£686</b>	<b>02148</b>
L-Shaped Panel (1700x750x540)	-	-	£366	02300
Front Panel (1700x540)	£144	02318	£195	02319
End Panel (750x540)	£102	02289	£135	02275
Screen CFS-1 (H=1400mm)	£360	02344	£360	02344
Screen CFS-2 (H=1500mm)	£385	02346	£385	02346



**FEATURES:** **C** Carronite **P** Panel  
**W** Whirlpool

**CAPACITY:** 240 Litres

**WHIRLPOOL:** Systems ① ② ③ ④ ⑤ ⑥

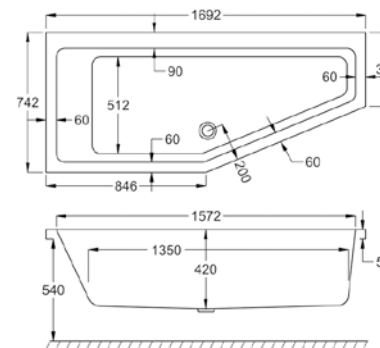
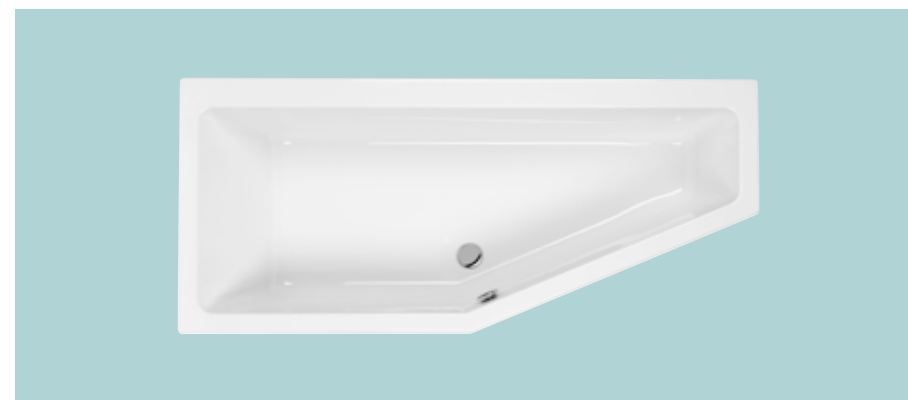
**KIT REF:** Standard - AK-01  
Carronite - AK-01-C

**SIZES:** 1500x700, 1575x700,  
1600x700, 1600x800,  
1700x700, 1700x750,  
1700x800, 1700x900,  
1800x725, 1800x800

## Quantum Spacesaver

Length. **1700mm** | Width. **750-400mm** | Height. **540mm**

	5mm	Code	Carronite	Code
<b>Quantum Spacesaver (LH)</b>	<b>£500</b>	<b>02179</b>	<b>£737</b>	<b>02177</b>
<b>Quantum Spacesaver (RH)</b>	<b>£500</b>	<b>02180</b>	<b>£737</b>	<b>02178</b>
Front Panel Space Saver	£190	02328	£365	02329
End Panel Space Saver	£87	02330	£121	02331
Screen QSS-2	£334	02347	£334	02347
Screen CFS-1 (H=1400mm)	£360	02344	£360	02344
Screen CFS-2 (H=1500mm)	£385	02346	£385	02346



**FEATURES:** **C** Carronite **P** Panel  
**W** Whirlpool

**CAPACITY:** 211 Litres

**WHIRLPOOL:** Systems ① ④

**KIT REF:** Standard - AK-10  
Carronite - AK-10-C

**SIZES:** 1700x750-400

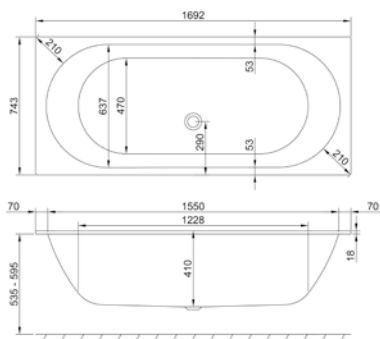
Left hand and right hand baths available.  
Right hand bath shown.

QSS Hinged Screen recommended.

## Sienna

Length. **1700mm** | Width. **750mm** | Height. **540mm**

	5mm	Code	Carronite	Code
<b>Sienna (Gloss)</b>	-	-	<b>£1,049</b>	<b>02801</b>
<b>Sienna (Matt)</b>	-	-	<b>£1,154</b>	<b>02803</b>



**FEATURES:** **C** Carronite **P** Panel

**CAPACITY:** 200 Litres

**WHIRLPOOL:** N/A

**KIT REF:** Standard - AK-01  
Carronite - AK-01-C

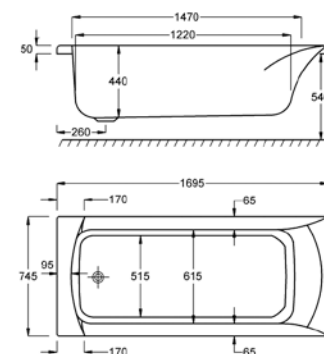
**SIZES:** 1700x750, 1800x800

Sienna must be installed in a plinth setting. No panel available. See pages 160-163 for more information.

## Sigma

Length. **1700mm** | Width. **750mm** | Height. **540mm**

	5mm	Code	Carronite	Code
<b>Sigma</b>	<b>£557</b>	<b>02189</b>	<b>£815</b>	<b>02190</b>
L-Shaped Panel (1700x750x540)	-	-	£366	02300
Front Panel (1700x540)	£144	02318	£195	02319
End Panel (750x540)	£102	02289	£135	02275
Screen CFS-1 (H=1400mm)	£360	02344	£360	02344
Screen CFS-2 (H=1500mm)	£385	02346	£385	02346
Grips CCG-1	£59	02357	£59	02357



**FEATURES:** **C** Carronite **P** Panel  
**H** Hand Grips **W** Whirlpool

**CAPACITY:** 195 Litres

**WHIRLPOOL:** Systems ① ② ③ ④ ⑤ ⑥

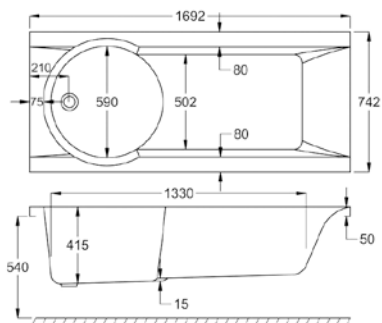
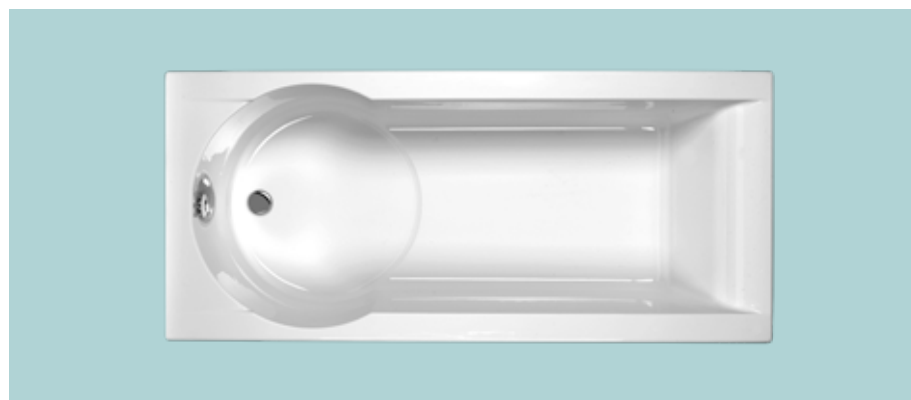
**KIT REF:** Standard - AK-01  
Carronite - AK-01-C

**SIZES:** 1600x750, 1700x750,  
1700x800, 1800x800,  
1900x900

## Zone

Length. **1700mm** | Width. **750mm** | Height. **540mm**

	5mm	Code	Carronite	Code
<b>Zone</b>	<b>£457</b>	<b>02622</b>	<b>£747</b>	<b>02623</b>
L-Shaped Panel (1700x750x540)	-	-	£366	02300
Front Panel (1700x540)	£144	02318	£195	02319
End Panel (750x540)	£102	02289	£135	02275
Screen CFS-1 (H=1400mm)	£360	02344	£360	02344
Screen CFS-2 (H=1500mm)	£385	02346	£385	02346



**FEATURES:** **C** Carronite **P** Panel  
**W** Whirlpool

**CAPACITY:** 224 Litres

**WHIRLPOOL:** Systems ① ④

**KIT REF:** Standard - AK-01  
Carronite - AK-01-C

**SIZES:** 1700x750, 1800x800

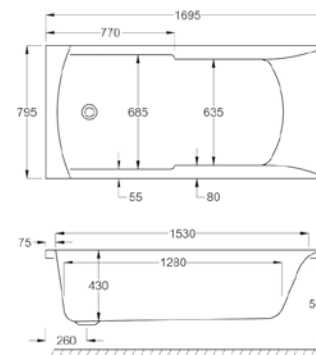
## Apex

Length. **1700mm** | Width. **800mm** | Height. **540mm**

	5mm	Code	Carronite	Code
<b>Apex</b>	<b>£613</b>	<b>02011</b>	<b>£957</b>	<b>02012</b>
L-Shaped Panel (1700x800x540)	-	-	£366	02489
Front Panel (1700x540)	£144	02318	£195	02319
End Panel (800x540)	£102	02291	£135	02277
Screen CFS-1 (H=1400mm)	£360	02344	£360	02344
Screen CFS-2 (H=1500mm)	£385	02346	£385	02346
Grips CCG-2	£46	02356	£46	02356



Hand Grips Available



**FEATURES:** **C** Carronite **P** Panel  
**H** Hand Grips

**CAPACITY:** 210 Litres

**WHIRLPOOL:** N/A

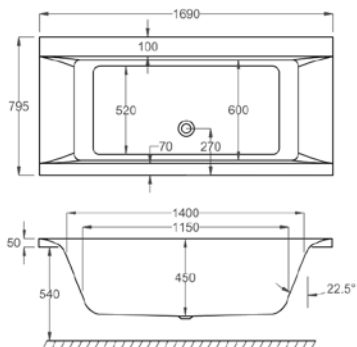
**KIT REF:** Standard - AK-03  
Carronite - AK-03-C

**SIZES:** 1700x800

## Haiku

Length. **1700mm** | Width. **800mm** | Height. **540mm**

	5mm	Code	Carronite	Code
<b>Haiku</b>	<b>£613</b>	<b>02094</b>	<b>£998</b>	<b>02095</b>
L-Shaped Panel (1700x800x540)	-	-	£366	02489
Haiku Front Panel (1700x540)	£145	02563	£196	02564
Haiku End Panel (800x540)	£102	02291	£135	02277



**FEATURES:** **C** Carronite **P** Panel  
**W** Whirlpool

**CAPACITY:** 220 Litres

**WHIRLPOOL:** Systems ① ② ③ ④ ⑤ ⑥

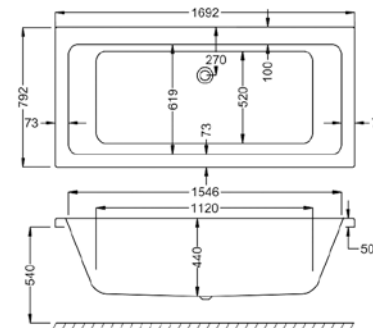
**KIT REF:** Standard - AK-03  
Carronite - AK-03-C

**SIZES:** 1700x800, 1800x800,  
1800x900

## Quantum DE

Length. **1700mm** | Width. **800mm** | Height. **540mm**

	5mm	Code	Carronite	Code
<b>Quantum DE</b>	<b>£480</b>	<b>02392</b>	<b>£713</b>	<b>02393</b>
L-Shaped Panel (1700x800x540)	-	-	£366	02489
Front Panel (1700x540)	£144	02318	£195	02319
End Panel (800x540)	£102	02291	£135	02277
Screen CFS-1 (H=1400mm)	£360	02344	£360	02344
Screen CFS-2 (H=1500mm)	£385	02346	£385	02346



**FEATURES:** **C** Carronite **P** Panel  
**W** Whirlpool

**CAPACITY:** 190 Litres

**WHIRLPOOL:** Systems ① ② ③ ④ ⑤ ⑥

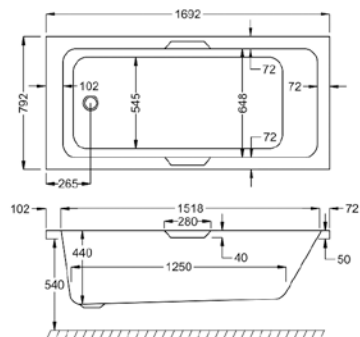
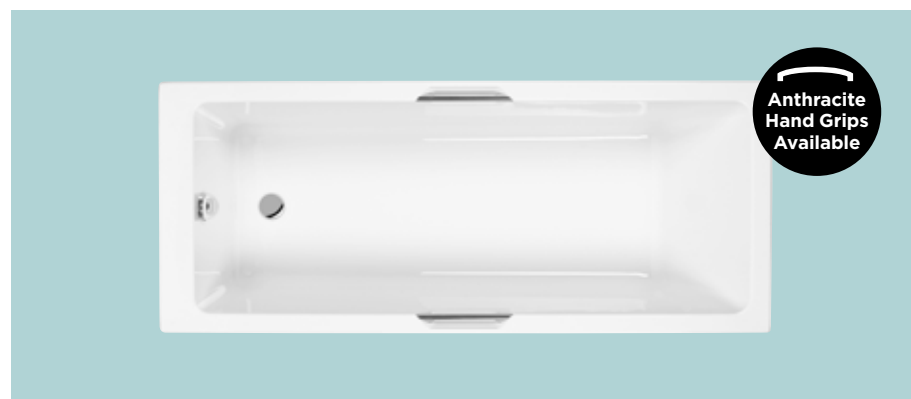
**KIT REF:** Standard - AK-03  
Carronite - AK-03-C

**SIZES:** 1700x700, 1700x750,  
1700x800, 1800x800,  
1900x900

## Quantum Integra

Length. **1700mm** | Width. **800mm** | Height. **540mm**

	5mm	Code	Carronite	Code
<b>Quantum Integra</b>	<b>£530</b>	<b>02394</b>	<b>£760</b>	<b>02395</b>
L-Shaped Panel (1700x800x540)	-	-	£366	02489
Front Panel (1700x540)	£144	02318	£195	02319
End Panel (800x540)	£102	02291	£135	02277
Screen CFS-1 (H=1400mm)	£360	02344	£360	02344
Screen CFS-2 (H=1500mm)	£385	02346	£385	02346
Anthracite Integra Hand Grips (additional cost)	+£60	02549	+£60	02549



**FEATURES:** **C** Carronite **P** Panel  
**H** Hand Grips **W** Whirlpool

**CAPACITY:** 267 Litres

**WHIRLPOOL:** Systems ① ② ③ ④ ⑤ ⑥

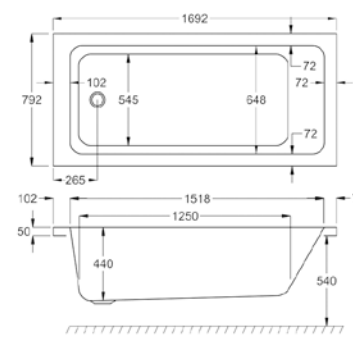
**KIT REF:** Standard - AK-03  
Carronite - AK-03-C

**SIZES:** 1500x700, 1600x700,  
1650x700, 1700x700,  
1700x750, 1700x800,  
1750x750, 1800x800

## Quantum SE

Length. **1700mm** | Width. **800mm** | Height. **540mm**

	5mm	Code	Carronite	Code
<b>Quantum SE</b>	<b>£480</b>	<b>02149</b>	<b>£713</b>	<b>02150</b>
L-Shaped Panel (1700x800x540)	-	-	£366	02489
Front Panel (1700x540)	£144	02318	£195	02319
End Panel (800x540)	£102	02291	£135	02277
Screen CFS-1 (H=1400mm)	£360	02344	£360	02344
Screen CFS-2 (H=1500mm)	£385	02346	£385	02346



**FEATURES:** **C** Carronite **P** Panel  
**W** Whirlpool

**CAPACITY:** 267 Litres

**WHIRLPOOL:** Systems ① ② ③ ④ ⑤ ⑥

**KIT REF:** Standard - AK-03  
Carronite - AK-03-C

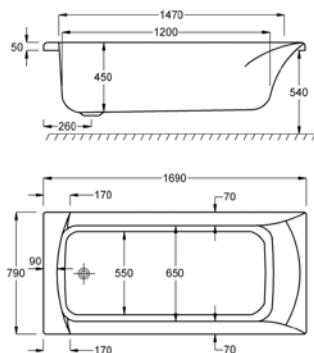
**SIZES:** 1500x700, 1575x700,  
1600x700, 1600x800,  
1700x700, 1700x750,  
1700x800, 1700x900,  
1800x725, 1800x800



## Sigma

Length. **1700mm** | Width. **800mm** | Height. **540mm**

	5mm	Code	Carronite	Code
<b>Sigma</b>	<b>£621</b>	<b>02193</b>	<b>£994</b>	<b>02194</b>
L-Shaped Panel (1700x800x540)	-	-	£366	02489
Front Panel (1700x540)	£144	02318	£195	02319
End Panel (800x540)	£102	02291	£135	02277
Screen CFS-1 (H=1400mm)	£360	02344	£360	02344
Screen CFS-2 (H=1500mm)	£385	02346	£385	02346
Grips CCG-1	£59	02357	£59	02357



**FEATURES:** **C** Carronite **P** Panel  
**H** Hand Grips **W** Whirlpool

**CAPACITY:** 220 Litres

**WHIRLPOOL:** Systems ① ② ③ ④ ⑤ ⑥

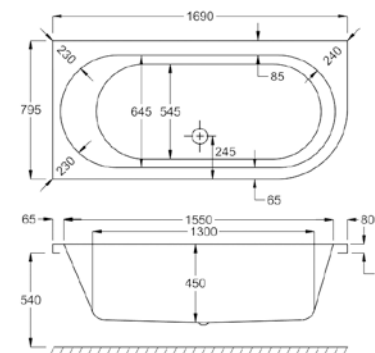
**KIT REF:** Standard - AK-03  
Carronite - AK-03-C

**SIZES:** 1600x750, 1700x750,  
1700x800, 1800x800,  
1900x900

## Status

Length. **1700mm** | Width. **800mm** | Height. **540mm**

	5mm	Code	Carronite	Code
<b>Status (LH)</b>	<b>£684</b>	<b>02217</b>	<b>£1,049</b>	<b>02218</b>
<b>Status (RH)</b>	<b>£684</b>	<b>02219</b>	<b>£1,049</b>	<b>02220</b>
Status Front Panel 17.80	£258	02338	£365	02339
Screen CFS-1 (H=1400mm)	£360	02344	£360	02344
Screen CFS-2 (H=1500mm)	£385	02346	£385	02346



**FEATURES:** **C** Carronite **P** Panel  
**W** Whirlpool

**CAPACITY:** 250 Litres

**WHIRLPOOL:** Systems ① ② ③ ④ ⑤ ⑥

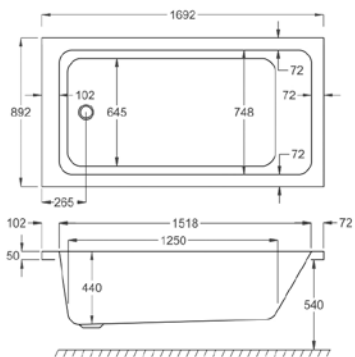
**KIT REF:** Standard - AK-03  
Carronite - AK-03-C

**SIZES:** 1600x725, 1700x725,  
1700x800

## Quantum SE

Length. **1700mm** | Width. **900mm** | Height. **540mm**

	5mm	Code	Carronite	Code
<b>Quantum SE</b>	<b>£643</b>	<b>02181</b>	<b>£910</b>	<b>02182</b>
Front Panel (1700x540)	£144	02318	£195	02319
End Panel (900x540)	£113	02293	£148	02278
Screen CFS-1 (H=1400mm)	£360	02344	£360	02344
Screen CFS-2 (H=1500mm)	£385	02346	£385	02346



**FEATURES:** **C** Carronite **P** Panel  
**W** Whirlpool

**CAPACITY:** 318 Litres

**WHIRLPOOL:** Systems ① ② ③ ④ ⑤ ⑥

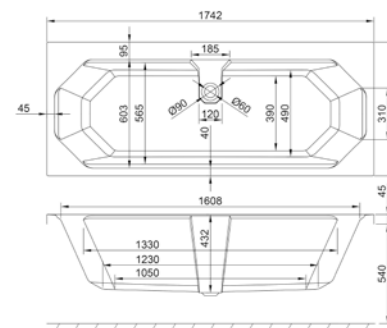
**KIT REF:** Standard - AK-13-C  
Carronite - AK-13-C

**SIZES:** 1500x700, 1575x700,  
1600x700, 1600x800,  
1700x700, 1700x750,  
1700x800, 1700x900,  
1800x725, 1800x800

## Camden DE

Length. **1750mm** | Width. **750mm** | Height. **540mm**

	5mm	Code	Carronite	Code
<b>Camden DE</b>	<b>£514</b>	<b>02613</b>	<b>£821</b>	<b>02614</b>
L-shaped Panel (1750x750x540)	-	-	£366	02607
Front Panel (1750x540)	£144	02601	£195	02602
End Panel (750x540)	£102	02289	£135	02275
Screen CFS-1 (H=1400mm)	£360	02344	£360	02344
Screen CFS-2 (H=1500mm)	£385	02346	£385	02346



**FEATURES:** **C** Carronite **P** Panel

**CAPACITY:** 209 Litres

**WHIRLPOOL:** N/A

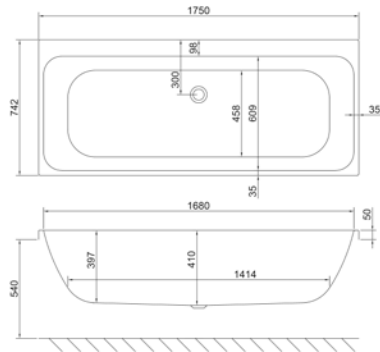
**KIT REF:** Standard - AK-01  
Carronite - AK-01-C

**SIZES:** 1700x700, 1700x750,  
1750x750

## Profile DE

Length. **1750mm** | Width. **750mm** | Height. **540mm**

	5mm	Code	Carronite	Code
<b>Profile DE</b>	<b>£514</b>	<b>02593</b>	<b>£821</b>	<b>02594</b>
L-Shaped Panel (1750x750x540)	-	-	£366	02607
Front Panel (1750x540)	£144	02601	£195	02602
End Panel (750x540)	£102	02289	£135	02275
Screen CFS-1 (H=1400mm)	£360	02344	£360	02344
Screen CFS-2 (H=1500mm)	£385	02346	£385	02346



**FEATURES:** **C** Carronite **P** Panel

**CAPACITY:** 236 Litres

**WHIRLPOOL:** N/A

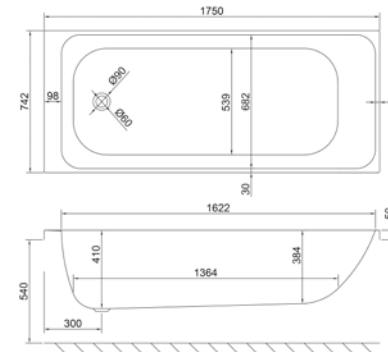
**KIT REF:** Standard - AK-01  
Carronite - AK-01-C

**SIZES:** 1600x700, 1600x800,  
1650x700, 1700x700,  
1700x750, 1750x750,  
1800x700

## Profile SE

Length. **1750mm** | Width. **750mm** | Height. **540mm**

	5mm	Code	Carronite	Code
<b>Profile SE</b>	<b>£514</b>	<b>02591</b>	<b>£821</b>	<b>02592</b>
L-Shaped Panel (1750x750x540)	-	-	£366	02607
Front Panel (1750x540)	£144	02601	£195	02602
End Panel (750x540)	£102	02289	£135	02275
Screen CFS-1 (H=1400mm)	£360	02344	£360	02344
Screen CFS-2 (H=1500mm)	£385	02346	£385	02346



**FEATURES:** **C** Carronite **P** Panel

**CAPACITY:** 264 Litres

**WHIRLPOOL:** N/A

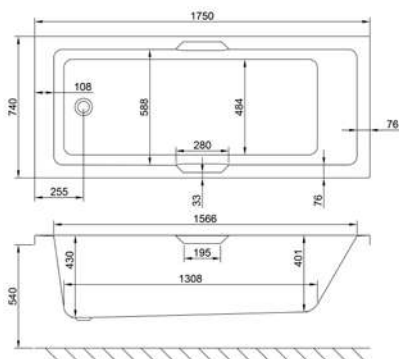
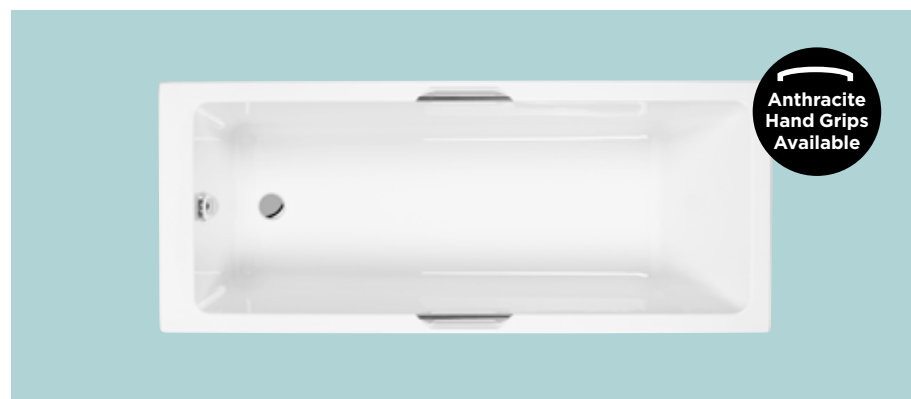
**KIT REF:** Standard - AK-01  
Carronite - AK-01-C

**SIZES:** 1500x700, 1600x700,  
1700x700, 1700x750,  
1750x750, 1800x700

## Quantum Integra

Length. **1750mm** | Width. **750mm** | Height. **540mm**

	5mm	Code	Carronite	Code
<b>Quantum Integra</b>	<b>£547</b>	<b>02595</b>	<b>£772</b>	<b>02596</b>
L-Shaped Panel (1750x750x540)	-	-	£366	02607
Front Panel (1750x540)	£144	02601	£195	02602
End Panel (750x540)	£102	02289	£135	02275
Screen CFS-1 (H=1400mm)	£360	02344	£360	02344
Screen CFS-2 (H=1500mm)	£385	02346	£385	02346
Anthracite Integra Hand Grips (additional cost)	+£60	02549	+£60	02549



**FEATURES:** **C** Carronite **P** Panel  
**H** Hand Grips **W** Whirlpool

**CAPACITY:** 247 Litres

**WHIRLPOOL:** Systems ① ② ③ ④ ⑤ ⑥

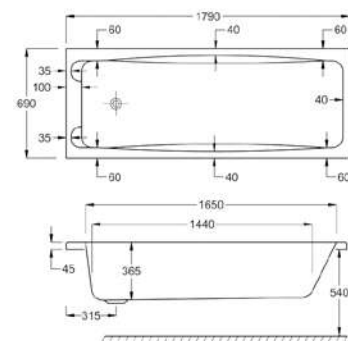
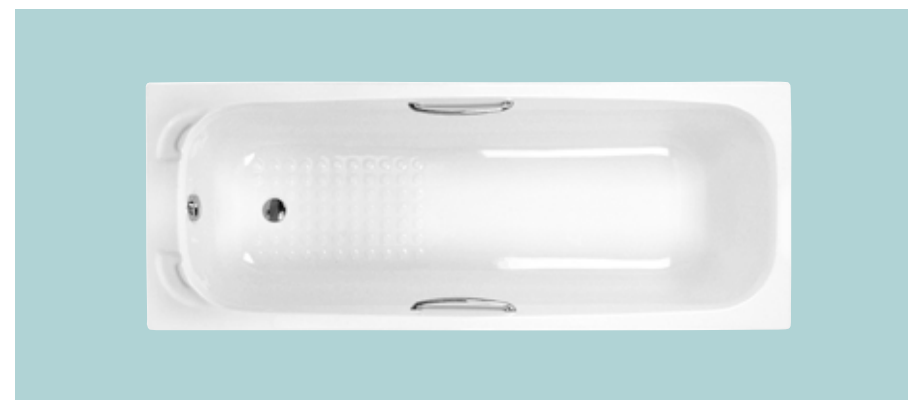
**KIT REF:** Standard - AK-03  
Carronite - AK-03-C

**SIZES:** 1500x700, 1600x700,  
1650x700, 1700x700,  
1700x750, 1700x800,  
1750x750, 1800x800

## Swallow TG

Length. **1800mm** | Width. **700mm** | Height. **540mm**

	5mm	Code	Carronite	Code
<b>Swallow TG</b>	<b>£625</b>	<b>02224</b>	<b>£860</b>	<b>02225</b>
L-Shaped Panel (1800x700x540)	-	-	£366	02311
Front Panel (1800x540)	£153	02322	£203	02323
End Panel (700x540)	£102	02286	£135	02272
Screen CFS-1 (H=1400mm)	£360	02344	£360	02344
Screen CFS-2 (H=1500mm)	£385	02346	£385	02346



**FEATURES:** **C** Carronite **P** Panel  
**H** Hand Grips

**CAPACITY:** 185 Litres

**WHIRLPOOL:** N/A

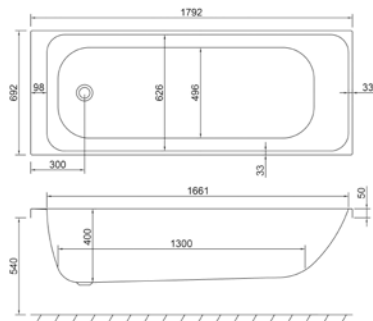
**KIT REF:** Standard - AK-02  
Carronite - AK-02-C

**SIZES:** 1700x700, 1800x700

## Profile SE

Length. **1800mm** | Width. **700mm** | Height. **540mm**

	5mm	Code	Carronite	Code
<b>Profile SE</b>	<b>£524</b>	<b>02571</b>	<b>£842</b>	<b>02572</b>
L-Shaped Panel (1800x700x540)	-	-	£366	02311
Front Panel (1800x540)	£153	02322	£203	02323
End Panel (700x540)	£102	02286	£135	02272
Screen CFS-1 (H=1400mm)	£360	02344	£360	02344
Screen CFS-2 (H=1500mm)	£385	02346	£385	02346



**FEATURES:** **C** Carronite **P** Panel

**CAPACITY:** 255 Litres

**WHIRLPOOL:** N/A

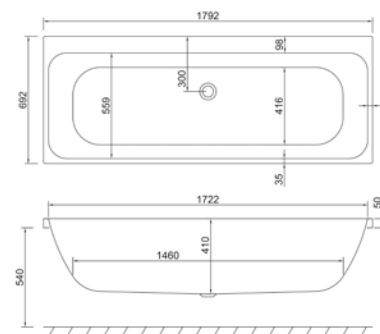
**KIT REF:** Standard - AK-01  
Carronite - AK-01-C

**SIZES:** 1500x700, 1600x700,  
1700x700, 1700x750,  
1750x750, 1800x700

## Profile DE

Length. **1800mm** | Width. **700mm** | Height. **540mm**

	5mm	Code	Carronite	Code
<b>Profile DE</b>	<b>£524</b>	<b>02573</b>	<b>£842</b>	<b>02574</b>
L-Shaped Panel (1800x700x540)	-	-	£366	02311
Front Panel (1800x540)	£153	02322	£203	02323
End Panel (700x540)	£102	02286	£135	02272
Screen CFS-1 (H=1400mm)	£360	02344	£360	02344
Screen CFS-2 (H=1500mm)	£385	02346	£385	02346



**FEATURES:** **C** Carronite **P** Panel

**CAPACITY:** 231 Litres

**WHIRLPOOL:** N/A

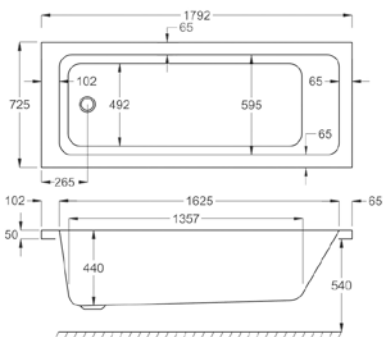
**KIT REF:** Standard - AK-01  
Carronite - AK-01-C

**SIZES:** 1600x700, 1600x800,  
1650x700, 1700x700,  
1700x750, 1750x750,  
1800x700

## Quantum SE

Length. **1800mm** | Width. **725mm** | Height. **540mm**

	5mm	Code	Carronite	Code
<b>Quantum SE</b>	<b>£467</b>	<b>02153</b>	<b>£708</b>	<b>02154</b>
L-Panel (1800 x 725 x 540)	-	-	£366	02608
Front Panel (1800x540)	£153	02322	£203	02323
End Panel (725x540)	£102	02287	£135	02307
Screen CFS-1 (H=1400mm)	£360	02344	£360	02344
Screen CFS-2 (H=1500mm)	£385	02346	£385	02346



**FEATURES:** **C** Carronite **P** Panel  
**W** Whirlpool

**CAPACITY:** 266 Litres

**WHIRLPOOL:** Systems ① ② ③ ④ ⑤ ⑥

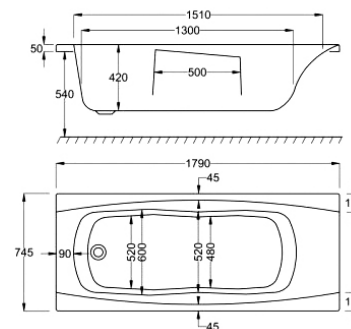
**KIT REF:** Standard - AK-01  
Carronite - AK-01-C

**SIZES:** 1500x700, 1575x700,  
1600x700, 1600x800,  
1700x700, 1700x750,  
1700x800, 1700x900,  
1800x725, 1800x800

## Imperial TG

Length. **1800mm** | Width. **750mm** | Height. **540mm**

	5mm	Code	Carronite	Code
<b>Imperial TG</b>	<b>£698</b>	<b>02116</b>	<b>£1,005</b>	<b>02117</b>
Front Panel (1800x540)	£153	02322	£203	02323
End Panel (750x540)	£102	02289	£135	02275
Screen CFS-1 (H=1400mm)	£360	02344	£360	02344
Screen CFS-2 (H=1500mm)	£385	02346	£385	02346



**FEATURES:** **C** Carronite **P** Panel  
**H** Hand Grips **W** Whirlpool

**CAPACITY:** 210 Litres

**WHIRLPOOL:** Systems ① ② ③ ④ ⑤ ⑥

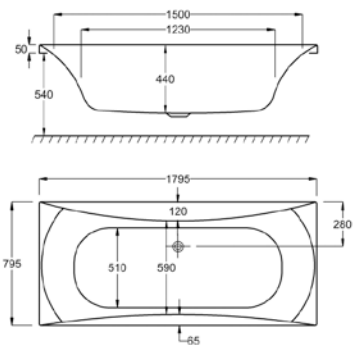
**KIT REF:** Standard - AK-01  
Carronite - AK-01-C

**SIZES:** 1400x700, 1500x700,  
1600x700, 1675x700,  
1700x700, 1800x750

## Alpha

Length. **1800mm** | Width. **800mm** | Height. **540mm**

	5mm	Code	Carronite	Code
<b>Alpha</b>	<b>£672</b>	<b>02009</b>	<b>£989</b>	<b>02010</b>
L-Shaped Panel (1800x800x540)	-	-	£366	02301
Front Panel (1800x540)	£153	02322	£203	02323
End Panel (800x540)	£102	02291	£135	02277



**FEATURES:** **C** Carronite **P** Panel  
**W** Whirlpool

**CAPACITY:** 220 Litres

**WHIRLPOOL:** Systems ① ② ③ ④ ⑤ ⑥

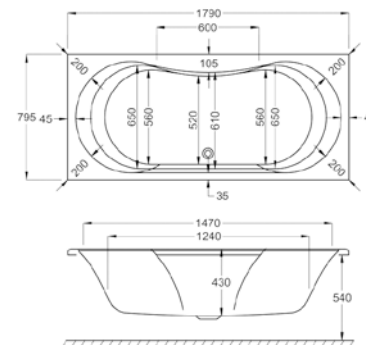
**KIT REF:** Standard - AK-03  
Carronite - AK-03-C

**SIZES:** 1700x700, 1700x750,  
1800x800

## Arc DE

Length. **1800mm** | Width. **800mm** | Height. **540mm**

	5mm	Code	Carronite	Code
<b>Arc DE</b>	<b>£508</b>	<b>02019</b>	<b>£737</b>	<b>02020</b>
L-Shaped Panel (1800x800x540)	-	-	£366	02301
Front Panel (1800x540)	£153	02322	£203	02323
End Panel (800x540)	£102	02291	£135	02277



**FEATURES:** **C** Carronite **P** Panel  
**W** Whirlpool

**CAPACITY:** 210 Litres

**WHIRLPOOL:** Systems ① ② ③ ④ ⑤ ⑥

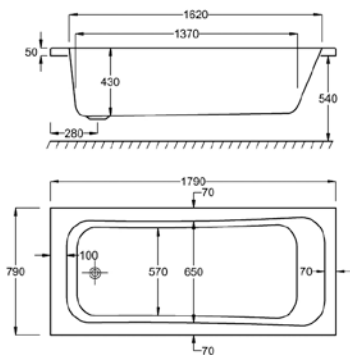
**KIT REF:** Standard - AK-03  
Carronite - AK-03-C

**SIZES:** 1700x750, 1800x800

## Britannia

Length. **1800mm** | Width. **800mm** | Height. **540mm**

	5mm	Code	Carronite	Code
<b>Britannia</b>	<b>£665</b>	<b>02465</b>	<b>£920</b>	<b>02466</b>
L-Shaped Panel (1800x800x540)	-	-	£366	02301
Front Panel (1800x540)	£153	02322	£203	02323
End Panel (800x540)	£102	02291	£135	02277



**FEATURES:** **C** Carronite **P** Panel  
**W** Whirlpool

**CAPACITY:** 245 Litres

**WHIRLPOOL:** Systems ① ④

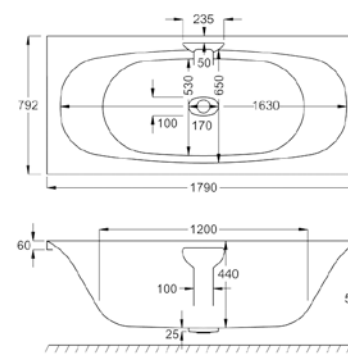
**KIT REF:** Standard - AK-03  
Carronite - AK-03-C

**SIZES:** 1700x700, 1700x750,  
1800x800

## Echelon (includes filler)

Length. **1800mm** | Width. **800mm** | Height. **540mm**

	5mm	Code	Carronite	Code
<b>Echelon (inc filler)</b>	<b>£1,139</b>	<b>02081</b>	<b>£1,483</b>	<b>02082</b>
L-Shaped Panel (1800x800x540)	-	-	£366	02301
Front Panel (1800x540)	£153	02322	£203	02323
End Panel (800x540)	£102	02291	£135	02277



**FEATURES:** **C** Carronite **P** Panel

**CAPACITY:** 230 Litres

**WHIRLPOOL:** N/A

**KIT REF:** Standard - AK-03  
Carronite - AK-03-C

**SIZES:** 1700x750, 1800x800

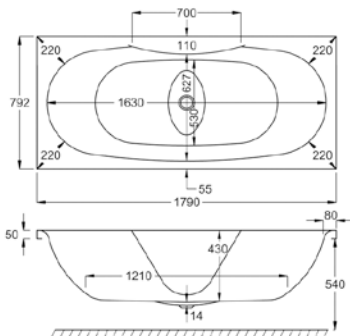
\*Min 1.5 bar pressure required.



## Equation

Length. **1800mm** | Width. **800mm** | Height. **540mm**

	5mm	Code	Carronite	Code
<b>Equation</b>	<b>£678</b>	<b>02092</b>	<b>£998</b>	<b>02093</b>
L-Shaped Panel (1800x800x540)	-	-	£366	02301
Front Panel (1800x540)	£153	02322	£203	02323
End Panel (800x540)	£102	02291	£135	02277



**FEATURES:** **C** Carronite **P** Panel  
**W** Whirlpool

**CAPACITY:** 233 Litres

**WHIRLPOOL:** Systems ① ② ③ ④ ⑤ ⑥

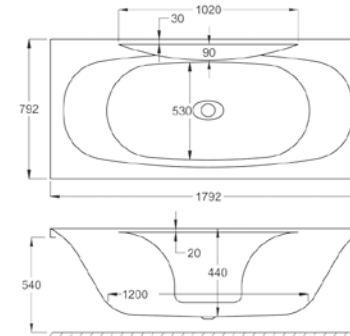
**KIT REF:** Standard - AK-03  
Carronite - AK-03-C

**SIZES:** 1700x750, 1800x800

## Equity

Length. **1800mm** | Width. **800mm** | Height. **540mm**

	5mm	Code	Carronite	Code
<b>Equity</b>	<b>£843</b>	<b>02361</b>	<b>£1,234</b>	<b>02362</b>
L-Shaped Panel (1800x800x540)	-	-	£366	02301
Front Panel (1800x540)	£153	02322	£203	02323
End Panel (800x540)	£102	02291	£135	02277



**FEATURES:** **C** Carronite **P** Panel  
**W** Whirlpool

**CAPACITY:** 225 Litres

**WHIRLPOOL:** Systems ① ② ③ ④ ⑤ ⑥

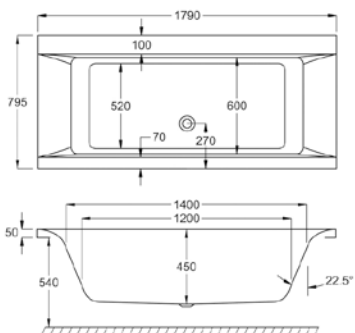
**KIT REF:** Standard - AK-03  
Carronite - AK-03-C

**SIZES:** 1700x750, 1800x800

## Haiku

Length. **1800mm** | Width. **800mm** | Height. **540mm**

	5mm	Code	Carronite	Code
<b>Haiku</b>	<b>£777</b>	<b>02096</b>	<b>£1,244</b>	<b>02097</b>
L-Shaped Panel (1800x800x540)	-	-	£366	02301
Haiku Front Panel (1800x540)	£154	02565	£203	02566
Haiku End Panel (800x540)	£102	02291	£135	02277



**FEATURES:** **C** Carronite **P** Panel  
**W** Whirlpool

**CAPACITY:** 230 Litres

**WHIRLPOOL:** Systems ① ② ③ ④ ⑤ ⑥

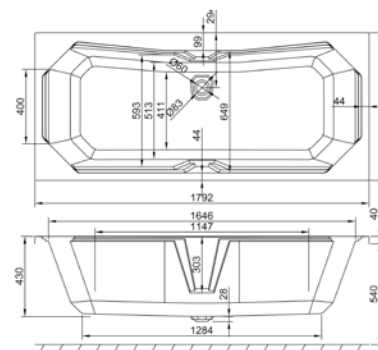
**KIT REF:** Standard - AK-03  
Carronite - AK-03-C

**SIZES:** 1700x800, 1800x800,  
1800x900

## Highgate DE

Length. **1800mm** | Width. **800mm** | Height. **540mm**

	Carronite	Code
<b>Highgate DE</b>	<b>£1,420</b>	<b>02537</b>
Highgate L-Shaped Panel (1800x800x540)	£360	02546
Highgate Front Panel (1800x540)	£229	02544
Etched Screen Left Hand (LH)	£313	02583
Etched Screen Right Hand (RH)	£313	02584
Grips (single)	£58	02548



**FEATURES:** **C** Carronite **P** Panel  
**H** Hand Grips

**CAPACITY:** 264 Litres

**WHIRLPOOL:** N/A

**KIT REF:** Carronite - AK-03-C

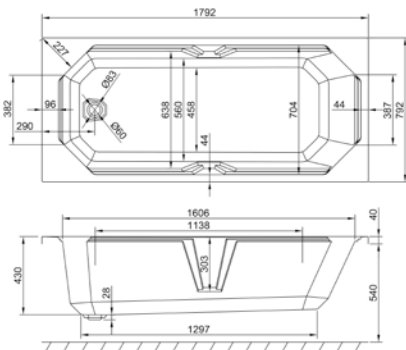
**SIZES:** 1700x750, 1800x800

\* Single grip option - fitted opposite overflow.

## Highgate SE

Length. **1800mm** | Width. **800mm** | Height. **540mm**

	5mm	Code	Carronite	Code
<b>Highgate SE</b> (c/w pair grips)			<b>£1,420</b>	<b>02580</b>
Highgate L-Shaped Panel (1800x800x540)			£360	02546
Highgate Front Panel (1800x540)			£229	02544
Etched Screen Left Hand (LH)			£313	02583
Etched Screen Right Hand (RH)			£313	02584



**FEATURES:** **C** Carronite **P** Panel  
**H** Hand Grips

**CAPACITY:** 268 Litres

**WHIRLPOOL:** N/A

**KIT REF:** Carronite - AK-03-C

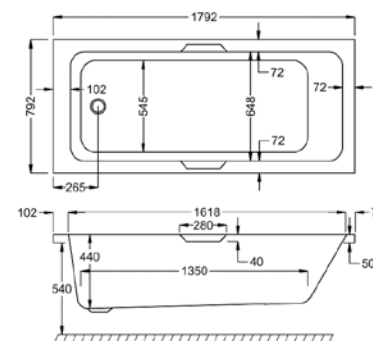
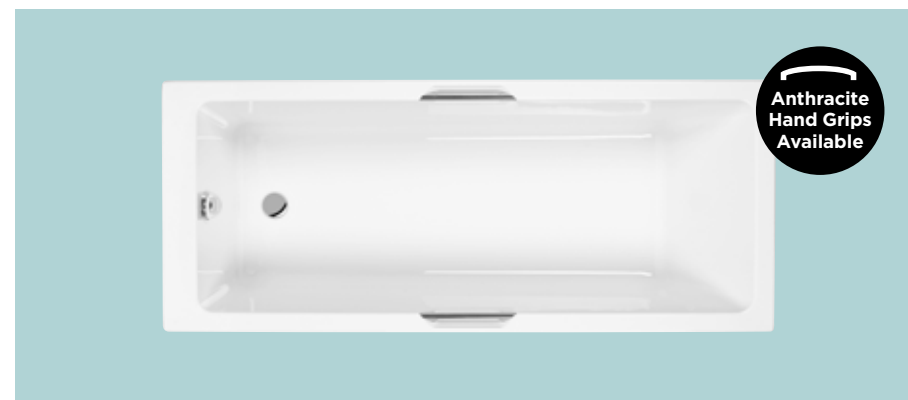
**SIZES:** 1700x750, 1800x800

\* SE bath comes pre-drilled with grips.  
Plain option is available as a special order.

## Quantum Integra

Length. **1800mm** | Width. **800mm** | Height. **540mm**

	5mm	Code	Carronite	Code
<b>Quantum Integra</b>	<b>£561</b>	<b>02396</b>	<b>£798</b>	<b>02397</b>
L-Shaped Panel (1800x800x540)	-	-	£366	02301
Front Panel (1800x540)	£153	02322	£203	02323
End Panel (800x540)	£102	02291	£135	02277
Screen CFS-1 (H=1400mm)	£360	02344	£360	02344
Screen CFS-2 (H=1500mm)	£385	02346	£385	02346
Anthracite Integra Hand Grips (additional cost)	+£60	02549	+£60	02549



**FEATURES:** **C** Carronite **P** Panel  
**H** Hand Grips **W** Whirlpool

**CAPACITY:** 285 Litres

**WHIRLPOOL:** Systems ① ② ③ ④ ⑤ ⑥

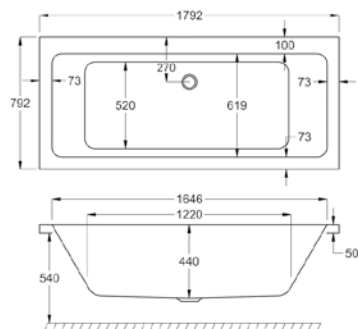
**KIT REF:** Standard - AK-03  
Carronite - AK-03-C

**SIZES:** 1500x700, 1600x700,  
1650x700, 1700x700,  
1700x750, 1700x800,  
1750x750, 1800x800

## Quantum DE

Length. **1800mm** | Width. **800mm** | Height. **540mm**

	5mm	Code	Carronite	Code
<b>Quantum DE</b>	<b>£522</b>	<b>02161</b>	<b>£770</b>	<b>02162</b>
L-Shaped Panel (1800x800x540)	-	-	£366	02301
Front Panel (1800x540)	£153	02322	£203	02323
End Panel (800x540)	£102	02291	£135	02277
Screen CFS-1 (H=1400mm)	£360	02344	£360	02344
Screen CFS-2 (H=1500mm)	£385	02346	£385	02346



**FEATURES:** **C** Carronite **P** Panel  
**W** Whirlpool

**CAPACITY:** 230 Litres

**WHIRLPOOL:** Systems ① ② ③ ④ ⑤ ⑥

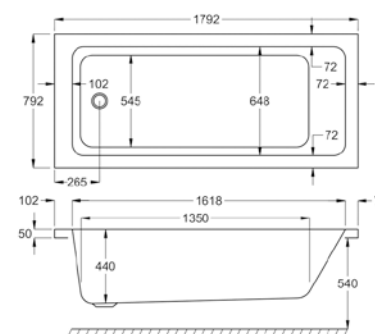
**KIT REF:** Standard - AK-03  
Carronite - AK-03-C

**SIZES:** 1700x700, 1700x750,  
1700x800, 1800x800,  
1900x900

## Quantum SE

Length. **1800mm** | Width. **800mm** | Height. **540mm**

	5mm	Code	Carronite	Code
<b>Quantum SE</b>	<b>£522</b>	<b>02155</b>	<b>£770</b>	<b>02156</b>
L-Shaped Panel (1800x800x540)	-	-	£366	02301
Front Panel (1800x540)	£153	02322	£203	02323
End Panel (800x540)	£102	02291	£135	02277
Screen CFS-1 (H=1400mm)	£360	02344	£360	02344
Screen CFS-2 (H=1500mm)	£385	02346	£385	02346



**FEATURES:** **C** Carronite **P** Panel  
**W** Whirlpool

**CAPACITY:** 285 Litres

**WHIRLPOOL:** Systems ① ② ③ ④ ⑤ ⑥

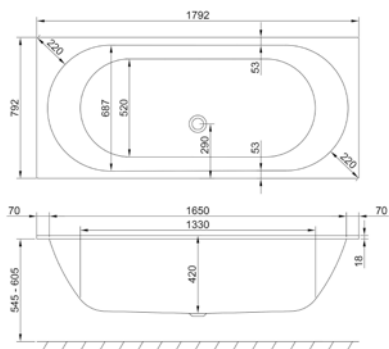
**KIT REF:** Standard - AK-03  
Carronite - AK-03-C

**SIZES:** 1500x700, 1575x700,  
1600x700, 1600x800,  
1700x700, 1700x750,  
1700x800, 1700x900,  
1800x725, 1800x800

## Sienna

Length. **1800mm** | Width. **800mm** | Height. **545mm**

	5mm	Code	Carronite	Code
<b>Sienna (Gloss)</b>	-	-	<b>£1,112</b>	<b>02802</b>
<b>Sienna (Matt)</b>	-	-	<b>£1,206</b>	<b>02804</b>



**FEATURES:** **C** Carronite **P** Panel  
**W** Whirlpool

**CAPACITY:** 226 Litres

**WHIRLPOOL:** Systems ① ④

**KIT REF:** Standard - AK-03  
Carronite - AK-03-C

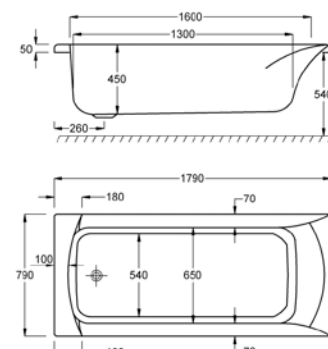
**SIZES:** 1700x750, 1800x800

Sienna must be installed in a plinth setting. No panel available. See pages 160-163 for more information.

## Sigma

Length. **1800mm** | Width. **800mm** | Height. **540mm**

	5mm	Code	Carronite	Code
<b>Sigma</b>	<b>£737</b>	<b>02197</b>	<b>£1,245</b>	<b>02198</b>
L-Shaped Panel (1800x800x540)	-	-	£366	02301
Front Panel (1800x540)	£153	02322	£203	02323
End Panel (800x540)	£102	02291	£135	02277
Screen CFS-1 (H=1400mm)	£360	02344	£360	02344
Screen CFS-2 (H=1500mm)	£385	02346	£385	02346
Grips CCG-1	£59	02357	£59	02357



**FEATURES:** **C** Carronite **P** Panel  
**H** Hand Grips **W** Whirlpool

**CAPACITY:** 240 Litres

**WHIRLPOOL:** Systems ① ② ③ ④ ⑤ ⑥

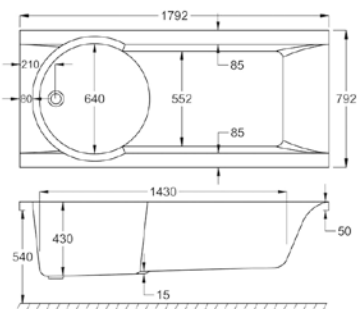
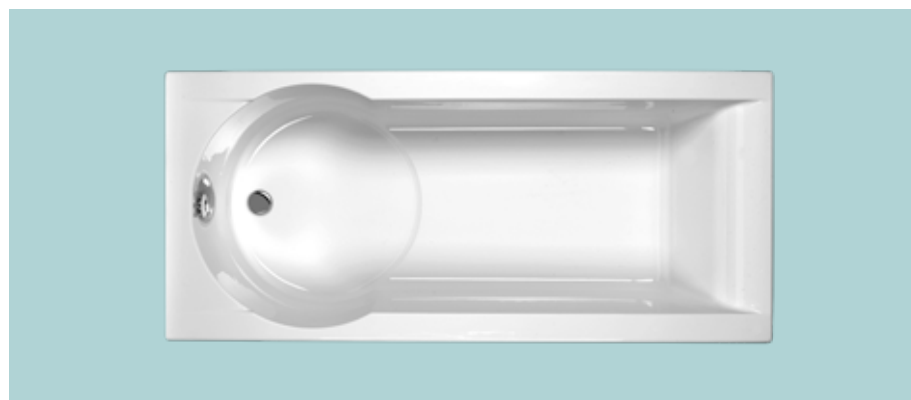
**KIT REF:** Standard - AK-03  
Carronite - AK-03-C

**SIZES:** 1600x750, 1700x750,  
1700x800, 1800x800,  
1900x900

## Zone

Length. **1800mm** | Width. **800mm** | Height. **540mm**

	5mm	Code	Carronite	Code
<b>Zone</b>	<b>£552</b>	<b>02624</b>	<b>£872</b>	<b>02625</b>
L-shaped panel (1800x800x540)	-	-	£366	02301
Front Panel (1800x540)	£153	02322	£203	02323
End Panel (800x540)	£102	02291	£135	02277
Screen CFS-1 (H=1400mm)	£360	02344	£360	02344
Screen CFS-2 (H=1500mm)	£385	02346	£385	02346



**FEATURES:** **C** Carronite **P** Panel  
**W** Whirlpool

**CAPACITY:** 275 Litres

**WHIRLPOOL:** Systems ① ④

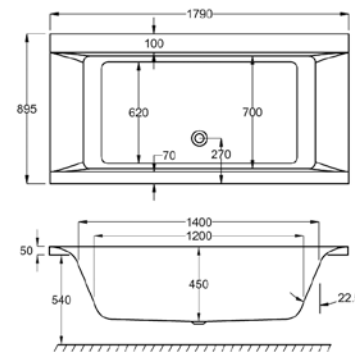
**KIT REF:** Standard - AK-03  
Carronite - AK-03-C

**SIZES:** 1700x750, 1800x800

## Haiku

Length. **1800mm** | Width. **900mm** | Height. **540mm**

	5mm	Code	Carronite	Code
<b>Haiku</b>	<b>£844</b>	<b>02098</b>	<b>£1,311</b>	<b>02099</b>
Haiku Front Panel (1800x540)	£154	02565	£203	02566
Haiku End Panel (900x540)	£113	02293	£148	02278



**FEATURES:** **C** Carronite **P** Panel  
**W** Whirlpool

**CAPACITY:** 290 Litres

**WHIRLPOOL:** Systems ① ② ③ ④ ⑤ ⑥

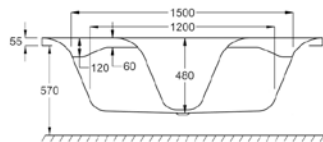
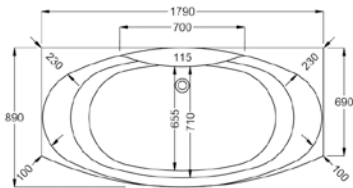
**KIT REF:** Standard - AK-03  
Carronite - AK-03-C

**SIZES:** 1700x800, 1800x800,  
1800x900

## Mistral

Length. **1800mm** | Width. **700-900mm** | Height. **570mm**

	5mm	Code	Carronite	Code
<b>Mistral</b>	<b>£1,037</b>	<b>02128</b>	<b>£1,529</b>	<b>02129</b>
Mistral Front Panel	£220	02302	-	-
Mistral End Panel	£114	02303	-	-



**FEATURES:** **C** Carronite **P** Panel  
**W** Whirlpool

**CAPACITY:** 330 Litres

**WHIRLPOOL:** Systems ① ② ③ ④ ⑤ ⑥

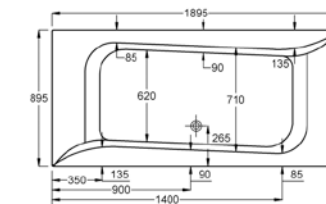
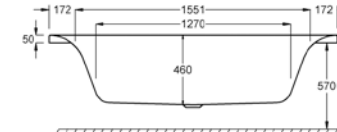
**KIT REF:** Standard - AK-03  
Carronite - AK-03-C

**SIZES:** 1800x700-900

## Linea

Length. **1900mm** | Width. **900mm** | Height. **570mm**

	5mm	Code	Carronite	Code
<b>Linea</b>	<b>£1,191</b>	<b>02120</b>	<b>£1,772</b>	<b>02121</b>
Front Panel (1900x570)	£153	02284	£203	02270
End Panel (900x570)	£113	02294	£148	02279



**FEATURES:** **C** Carronite **P** Panel  
**W** Whirlpool

**CAPACITY:** 345 Litres

**WHIRLPOOL:** Systems ① ② ③ ④ ⑤ ⑥

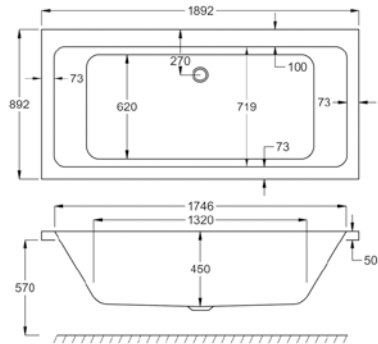
**KIT REF:** Standard - AK-03  
Carronite - AK-03-C

**SIZES:** 1900x900

## Quantum DE

Length. **1900mm** | Width. **900mm** | Height. **570mm**

	5mm	Code	Carronite	Code
<b>Quantum DE</b>	<b>£819</b>	<b>02163</b>	<b>£1,200</b>	<b>02164</b>
Front Panel (1900x570)	£153	02284	£203	02270
End Panel (900x570)	£113	02294	£148	02279



**FEATURES:** **C** Carronite **P** Panel  
**W** Whirlpool

**CAPACITY:** 350 Litres

**WHIRLPOOL:** Systems ① ② ③ ④ ⑤ ⑥

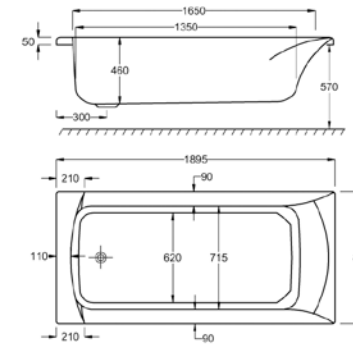
**KIT REF:** Standard - AK-03  
Carronite - AK-03-C

**SIZES:** 1700x700, 1700x750,  
1700x800, 1800x800,  
1900x900

## Sigma

Length. **1900mm** | Width. **900mm** | Height. **570mm**

	5mm	Code	Carronite	Code
<b>Sigma</b>	<b>£1,086</b>	<b>02201</b>	<b>£1,593</b>	<b>02202</b>
Front Panel (1900x570)	£153	02284	£203	02270
End Panel (900x570)	£113	02294	£148	02279
Screen CFS-1 (H=1400mm)	£360	02344	£360	02344
Screen CFS-2 (H=1500mm)	£385	02346	£385	02346
Grips CCG-1	£59	02357	£59	02357



**FEATURES:** **C** Carronite **P** Panel  
**H** Hand Grips **W** Whirlpool

**CAPACITY:** 350 Litres

**WHIRLPOOL:** Systems ① ② ③ ④ ⑤ ⑥

**KIT REF:** Standard - AK-03  
Carronite - AK-03-C

**SIZES:** 1600x750, 1700x750,  
1700x800, 1800x800,  
1900x900



# Showerbaths

With more space for showering whilst retaining the option of a luxury bath, our range of showerbaths all come with matching shower screens and panels.

## **Carronite™** **Ideal for showering**

The strength and stability offered by our Carronite™ finish makes it an ideal option for the showerbath of your choice.





**TIME TO UPGRADE YOUR SHOWER EXPERIENCE.**

Buy any **Carronite showerbath and panel set** and get a **shower screen completely free.**

Our Carronite baths bring an extra feeling of strength and stability, making them the perfect choice for a showerbath.

Carronite showerbath sets consist of Carronite Bath, Carronite Front panel or L-panel and Screen. This offer, based on a Celsius Showerbath Set with Wrap round screen (O2379) would give a potential saving of £962 ex-VAT at retail price.



**Save up to £962\***

Showerbaths

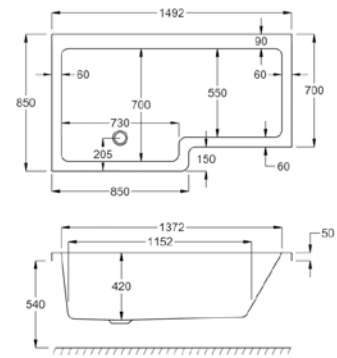
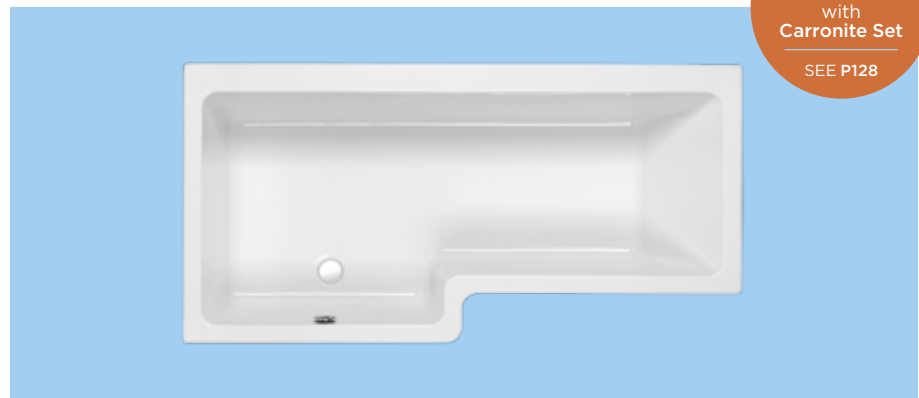
1500mm

**Quantum**

Length. **1500mm** | Width. **700-850mm** | Height. **540mm**

	5mm	Code	Carronite	Code
<b>Quantum Showerbath 1500 (LH)</b>	<b>£535</b>	<b>O2173</b>	<b>£769</b>	<b>O2174</b>
<b>Quantum Showerbath 1500 (RH)</b>	<b>£535</b>	<b>O2175</b>	<b>£769</b>	<b>O2176</b>
Quantum SB 1500 Front Panel	£192	O2324	£416	O2325
SB End Panel	£120	O2312	£164	O2313
Screen QSS-2	£334	O2347	£334	O2347
Set (bath, screen, front panel)	£1,061	-	£1,519	-

**FREE**  
Shower screen with Carronite Set  
SEE P128



- FEATURES:**  Carronite  Panel
- CAPACITY:** 229 Litres
- WHIRLPOOL:** N/A
- KIT REF:** Standard - AK-05  
Carronite - AK-05-C
- SIZES:** 1500x700-850,  
1600x700-850,  
1700x700-850

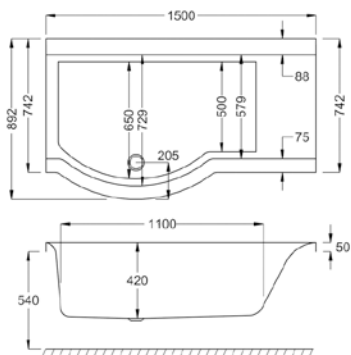
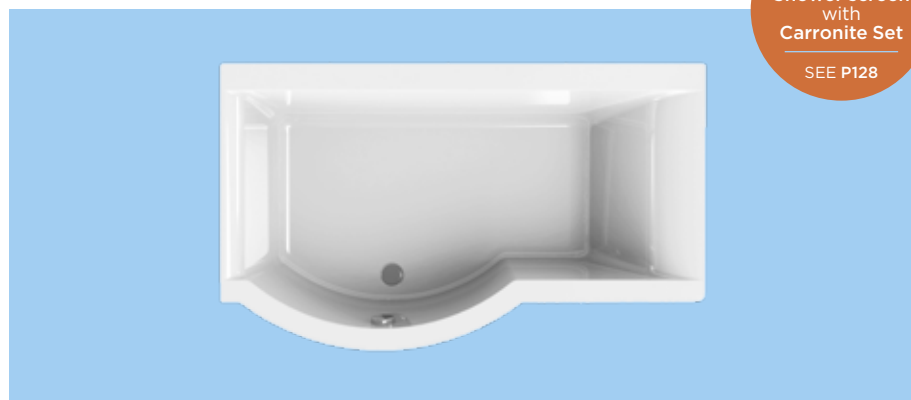
Left hand and right hand baths available. Left hand bath shown.

## Urban Compact

Length. **1500mm** | Width. **750-900mm** | Height. **540mm**

	5mm	Code	Carronite	Code
<b>Urban Compact (LH)</b>	<b>£770</b>	<b>02365</b>	<b>£1,214</b>	<b>02366</b>
<b>Urban Compact (RH)</b>	<b>£770</b>	<b>02367</b>	<b>£1,214</b>	<b>02368</b>
L-Shaped Showerbath Panel	-	-	£552	02505
Urban SB 1500 Front Panel	£253	02373	£403	02374
Screen CSS-4	£314	02380	£314	02380
Screen Wrap Round	£962	02379	£962	02379
Set 1 (Bath, Screen, Front Panel)	£1,337	-	£1,931	-
Set 2 (Bath, Wrap Round Screen, Front Panel)	£1,985	-	£2,579	-

**FREE**  
Shower screen  
with  
Carronite Set  
SEE P128



**FEATURES:** **C** Carronite **P** Panel  
**W** Whirlpool

**CAPACITY:** 228 Litres

**WHIRLPOOL:** Systems ① ② ③ ④ ⑤ ⑥

**KIT REF:** Standard - AK-05  
Carronite - AK-05-C

**SIZES:** 1500x750-900

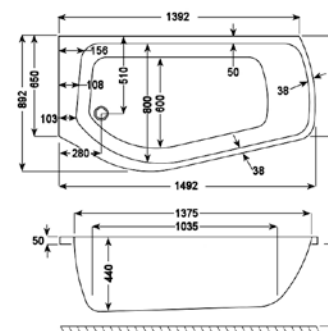
Left hand and right hand baths available.  
Left hand bath shown.

## Profile Showerbath

Length. **1500mm** | Width. **900mm** | Height. **540mm**

	5mm	Code	Carronite	Code
<b>Profile Showerbath (LH)</b>	<b>£795</b>	<b>02467</b>	<b>£1,186</b>	<b>02469</b>
<b>Profile Showerbath (RH)</b>	<b>£795</b>	<b>02468</b>	<b>£1,186</b>	<b>02470</b>
Profile SB Front Panel (LH)	£275	02512	-	-
Profile SB Front Panel (RH)	£275	02513	-	-
Screen CSS-4	£314	02380	£314	02380
Set (Bath, Screen, Front Panel)	£1,384	-	£1,775	-

**FREE**  
Shower screen  
with  
Carronite Set  
SEE P128



**FEATURES:** **C** Carronite **P** Panel

**CAPACITY:** 241 Litres

**WHIRLPOOL:** N/A

**KIT REF:** Standard - AK-04  
Carronite - AK-04-C

**SIZES:** 1500x900

Left hand and right hand baths available.  
Left hand bath shown.

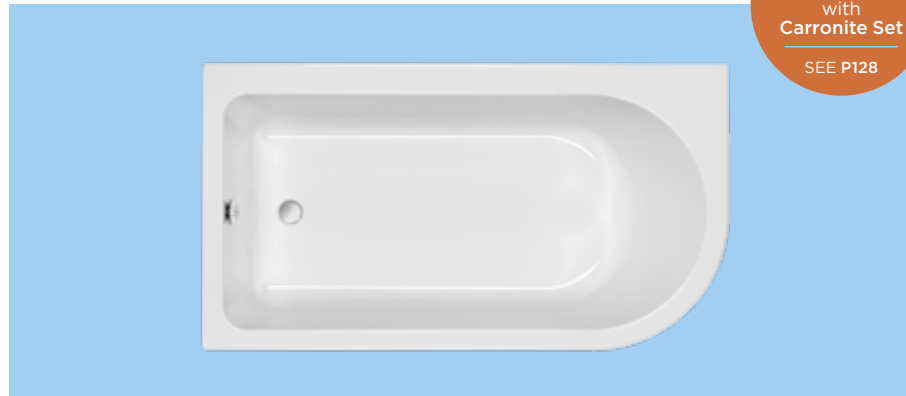
1550mm

Showerbaths

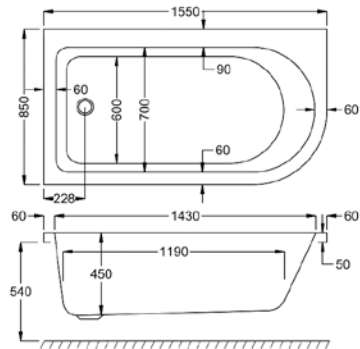
## Status Showerbath

Length. **1550mm** | Width. **850mm** | Height. **540mm**

	5mm	Code	Carronite	Code
Status Showerbath (LH)	£740	02398	£1,164	02399
Status Showerbath (RH)	£740	02400	£1,164	02401
Status Showerbath Panel	£271	02404	£386	02405
Screen CFS-1 (H=1400mm)	£360	02344	£360	02344
Set (Bath, Screen, Front Panel)	£1,371	-	£1,910	-



**FREE**  
Shower screen  
with  
Carronite Set  
SEE P128



**FEATURES:** **C** Carronite **P** Panel  
**W** Whirlpool

**CAPACITY:** 262 Litres

**WHIRLPOOL:** Systems ① ④

**KIT REF:** Standard - AK-03  
Carronite - AK-03-C

**SIZES:** 1550x850

Left hand and right hand baths available.  
Right hand bath shown.

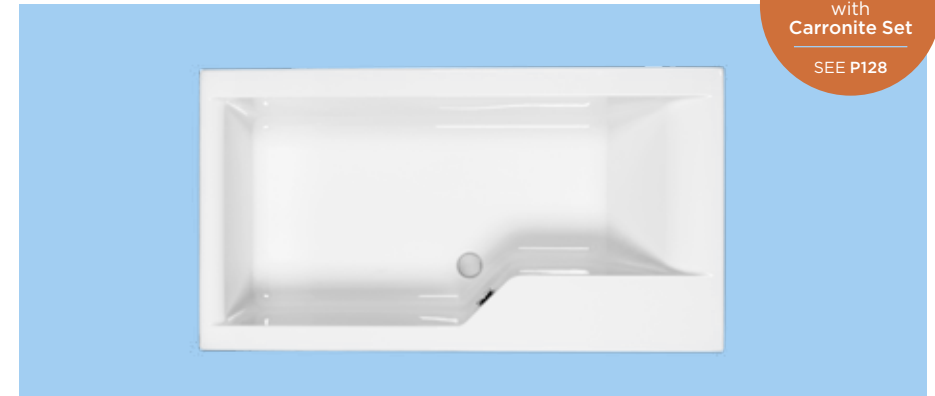
Showerbaths

1575mm

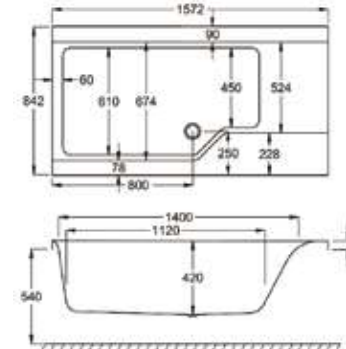
## Urban Swing

Length. **1575mm** | Width. **850mm** | Height. **540mm**

	Carronite	Code
Urban Swing (LH)	£1,186	02432
Urban Swing (RH)	£1,186	02434
Urban Swing L-Shaped Panel	£370	02441
Urban Swing Front Panel	£186	02440
Screen QSS-2	£334	02347
Set (Bath, Screen, Front Panel)	£1,706	-



**FREE**  
Shower screen  
with  
Carronite Set  
SEE P128



**FEATURES:** **C** Carronite **P** Panel  
**W** Whirlpool

**CAPACITY:** 225 Litres

**WHIRLPOOL:** Systems ① ② ③ ④ ⑤ ⑥

**KIT REF:** Carronite - AK-05-C/AK-12

**SIZES:** 1575x850

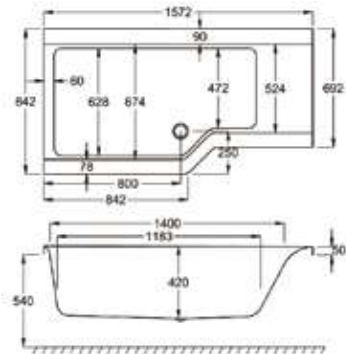
This model available only in Carronite.  
Left hand and right hand baths available.  
Left hand bath shown.

## Urban Edge

Length. **1575mm** | Width. **700-850mm** | Height. **540mm**

	5mm	Code	Carronite	Code
<b>Urban Edge Showerbath (LH)</b>	<b>£747</b>	<b>02427</b>	<b>£1,186</b>	<b>02428</b>
<b>Urban Edge Showerbath (RH)</b>	<b>£747</b>	<b>02429</b>	<b>£1,186</b>	<b>02430</b>
L-Shaped Showerbath Panel	-	-	£558	02551
Urban Edge Front Panel	£253	02437	£403	02438
Screen QSS-2	£334	02347	£334	02347
Set (Bath, Screen, Front Panel)	£1,334	-	£1,923	-

**FREE**  
Shower screen  
with  
Carronite Set  
  
SEE P128



**FEATURES:** **C** Carronite **P** Panel  
**W** Whirlpool

**CAPACITY:** 225 Litres

**WHIRLPOOL:** Systems ① ② ③ ④ ⑤ ⑥

**KIT REF:** Standard - AK-05  
Carronite - AK-05-C

**SIZES:** 1575x700-850,  
1675x700-850

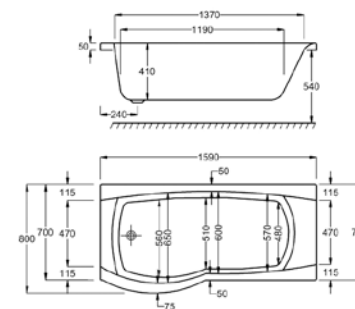
Left hand and right hand baths available.  
Left hand bath shown.

## Delta

Length. **1600mm** | Width. **700-800mm** | Height. **540mm**

	5mm	Code	Carronite	Code
<b>Delta Showerbath 1600 (LH)</b>	<b>£699</b>	<b>02071</b>	<b>£1,102</b>	<b>02072</b>
<b>Delta Showerbath 1600 (RH)</b>	<b>£699</b>	<b>02073</b>	<b>£1,102</b>	<b>02074</b>
Delta 1600 SB Front Panel	£184	02295	£374	02296
SB End Panel	£120	02312	£164	02313
Screen CSS-1	£314	02343	£314	02343
Set (Bath, Screen, Front Panel)	£1,197	-	£1,790	-

**FREE**  
Shower screen  
with  
Carronite Set  
  
SEE P128



**FEATURES:** **C** Carronite **P** Panel  
**W** Whirlpool

**CAPACITY:** 210 Litres

**WHIRLPOOL:** Systems ① ④

**KIT REF:** Standard - AK-04  
Carronite - AK-04-C

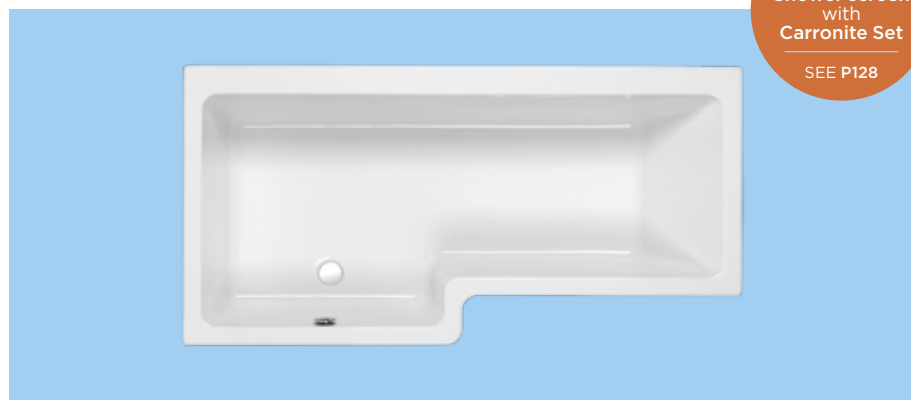
**SIZES:** 1600x700-800,  
1700x700-800,

Left hand and right hand baths available.  
Left hand bath shown.

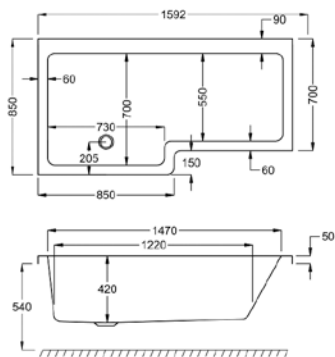
## Quantum

Length. **1600mm** | Width. **700-850mm** | Height. **540mm**

	5mm	Code	Carronite	Code
<b>Quantum Showerbath 1600 (LH)</b>	<b>£535</b>	<b>02386</b>	<b>£769</b>	<b>02387</b>
<b>Quantum Showerbath 1600 (RH)</b>	<b>£535</b>	<b>02388</b>	<b>£769</b>	<b>02389</b>
Quantum 1600 SB Front Panel	£192	02390	£416	02391
SB End Panel	£120	02312	£164	02313
Screen QSS-2	£334	02347	£334	02347
Set (bath, screen, front panel)	£1,061	-	£1,519	-



**FREE**  
Shower screen  
with  
Carronite Set  
SEE P128



<b>FEATURES:</b>	<b>C</b> Carronite <b>P</b> Panel
<b>CAPACITY:</b>	250 Litres
<b>WHIRLPOOL:</b>	N/A
<b>KIT REF:</b>	Standard - AK-05 Carronite - AK-05-C
<b>SIZES:</b>	1500x700-850, 1600x700-850, 1700x700-850

Left hand and right hand baths available.  
Left hand bath shown.

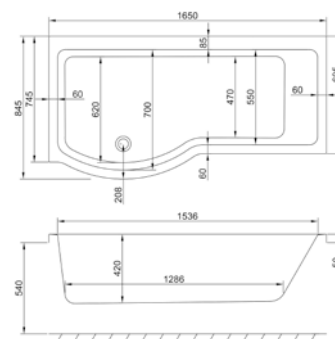
## Brio

Length. **1650mm** | Width. **700-850mm** | Height. **540mm**

	5mm	Code	Carronite	Code
<b>Brio Showerbath (LH)</b>	<b>£569</b>	<b>02616</b>	<b>£946</b>	<b>02617</b>
<b>Brio Showerbath (RH)</b>	<b>£569</b>	<b>02618</b>	<b>£946</b>	<b>02619</b>
Brio Front Panel	£150	02620	£294	02621
SB End Panel	£120	02312	£164	02313
Screen CSS-4	£314	02380	£314	02380
Set (Bath, Screen, Front Panel)	£1,033	-	£1,554	-



**FREE**  
Shower screen  
with  
Carronite Set  
SEE P128



<b>FEATURES:</b>	<b>C</b> Carronite <b>P</b> Panel <b>W</b> Whirlpool
<b>CAPACITY:</b>	254 Litres
<b>WHIRLPOOL:</b>	Systems ① ④
<b>KIT REF:</b>	Standard - AK-05 Carronite - AK-05-C
<b>SIZES:</b>	1650x700-850

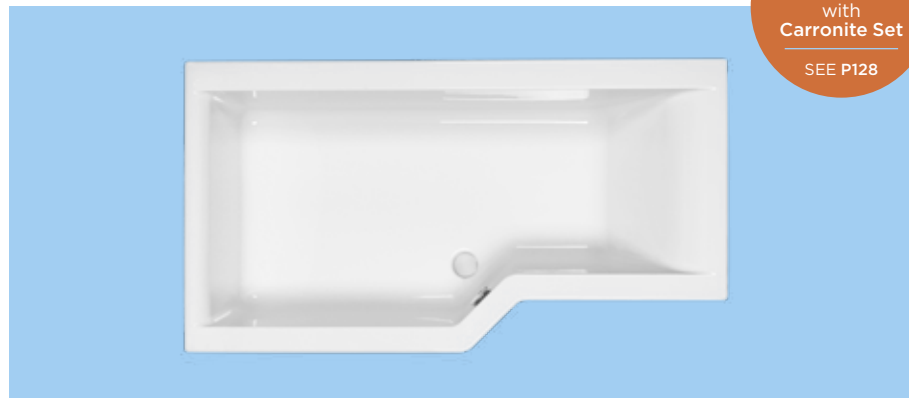
Left hand and right hand baths available.  
Left hand bath shown.



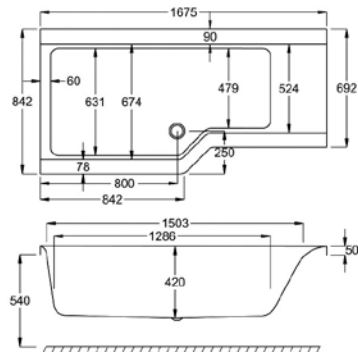
## Urban Edge

Length. **1675mm** | Width. **700-850mm** | Height. **540mm**

	5mm	Code	Carronite	Code
<b>Urban Edge Showerbath (LH)</b>	<b>£747</b>	<b>02525</b>	<b>£1,186</b>	<b>02526</b>
<b>Urban Edge Showerbath (RH)</b>	<b>£747</b>	<b>02527</b>	<b>£1,186</b>	<b>02528</b>
L-Shaped Showerbath Panel	-	-	£558	02552
Urban Edge Front Panel	£253	02529	£403	02530
Screen QSS-2	£334	02347	£334	02347
Set (Bath, Screen, Front Panel)	£1,334	-	£1,923	-



**FREE**  
Shower screen  
with  
Carronite Set  
SEE P128



**FEATURES:** **C** Carronite **P** Panel  
**W** Whirlpool

**CAPACITY:** 245 Litres

**WHIRLPOOL:** Systems ① ② ③ ④ ⑤ ⑥

**KIT REF:** Standard - AK-05  
Carronite - AK-05-C

**SIZES:** 1575x700-850,  
1675x700-850

Left hand and right hand baths available.  
Left hand bath shown.

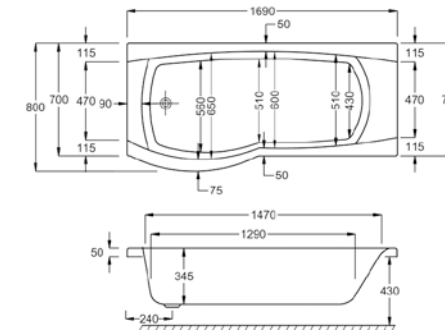
## Aspect

Length. **1700mm** | Width. **700-800mm** | Height. **430mm**

	5mm	Code	Carronite	Code
<b>Aspect Showerbath (LH)</b>	<b>£721</b>	<b>02025</b>	<b>£1,134</b>	<b>02026</b>
<b>Aspect Showerbath (RH)</b>	<b>£721</b>	<b>02027</b>	<b>£1,134</b>	<b>02028</b>
Aspect Front Panel	£184	02250	£374	02251
Aspect End Panel	£102	02258	£135	02259
Screen CSS-1	£314	02343	£314	02343
Set (Bath, Screen, Front Panel)	£1,219	-	£1,822	-



**FREE**  
Shower screen  
with  
Carronite Set  
SEE P128



**FEATURES:** **C** Carronite **P** Panel  
**A** Accessible  
**S** Water Saver

**CAPACITY:** 190 Litres

**WHIRLPOOL:** N/A

**KIT REF:** Standard - AK-04  
Carronite - AK-04-C

**SIZES:** 1700x700-800

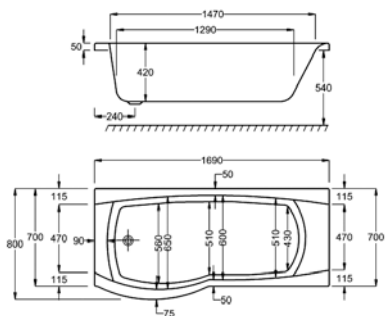
Left hand and right hand baths available.  
Left hand bath shown.

## Delta

Length. **1700mm** | Width. **700-800mm** | Height. **540mm**

	5mm	Code	Carronite	Code
<b>Delta Showerbath 1700 (LH)</b>	<b>£699</b>	<b>02075</b>	<b>£1,102</b>	<b>02076</b>
<b>Delta Showerbath 1700 (RH)</b>	<b>£699</b>	<b>02077</b>	<b>£1,102</b>	<b>02078</b>
Delta 1700 SB Front Panel	£184	02297	£374	02298
SB End Panel	£120	02312	£164	02313
Screen CSS-1	£314	02343	£314	02343
Set (Bath, Screen, Front Panel)	£1,197	-	£1,790	-

**FREE**  
Shower screen  
with  
Carronite Set  
SEE P128



**FEATURES:** **C** Carronite **P** Panel  
**W** Whirlpool

**CAPACITY:** 230 Litres

**WHIRLPOOL:** Systems ① ④

**KIT REF:** Standard - AK-04  
Carronite - AK-04-C

**SIZES:** 1600x700-800,  
1700x700-800

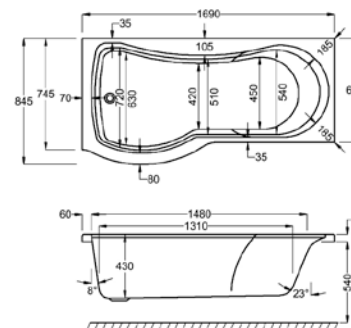
Left hand and right hand baths available.  
Left hand bath shown.

## Arc Showerbath

Length. **1700mm** | Width. **700-850mm** | Height. **540mm**

	5mm	Code	Carronite	Code
<b>Arc Showerbath (LH)</b>	<b>£584</b>	<b>02183</b>	<b>£886</b>	<b>02184</b>
<b>Arc Showerbath (RH)</b>	<b>£584</b>	<b>02185</b>	<b>£886</b>	<b>02186</b>
Arc 1700 SB Front Panel	£160	02332	£334	02333
SB End Panel	£120	02312	£164	02313
Screen CSS-2	£309	02350	£309	02350
Set (Bath, Screen, Front Panel)	£1,053	-	£1,529	-

**FREE**  
Shower screen  
with  
Carronite Set  
SEE P128



**FEATURES:** **C** Carronite **P** Panel  
**W** Whirlpool

**CAPACITY:** 250 Litres

**WHIRLPOOL:** Systems ① ④

**KIT REF:** Standard - AK-05  
Carronite - AK-05-C

**SIZES:** 1700x700-850

Left hand and right hand baths available.  
Left hand bath shown.

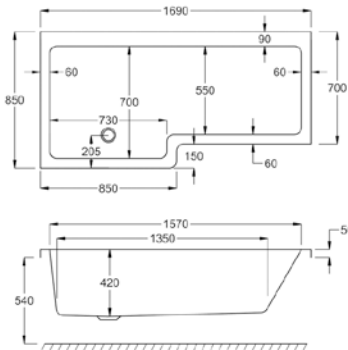
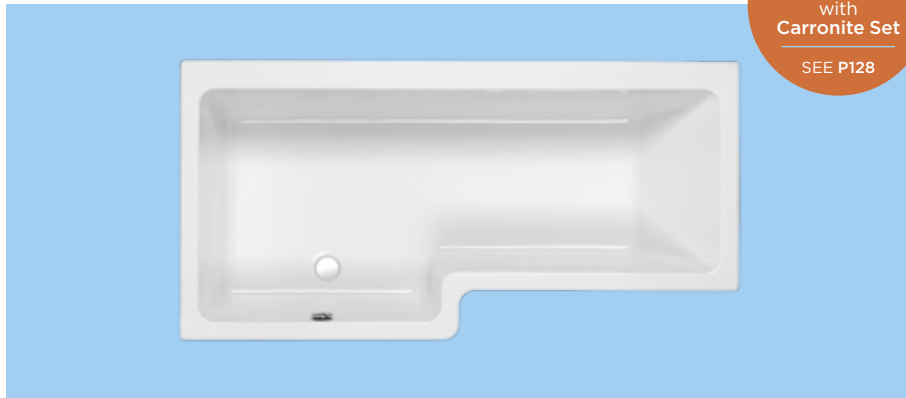


## Quantum

Length. **1700mm** | Width. **700-850mm** | Height. **540mm**

	5mm	Code	Carronite	Code
<b>Quantum Showerbath 1700 (LH)</b>	<b>£535</b>	<b>02205</b>	<b>£769</b>	<b>02206</b>
<b>Quantum Showerbath 1700 (RH)</b>	<b>£535</b>	<b>02207</b>	<b>£769</b>	<b>02208</b>
Quantum 1700 SB Front Panel	£192	02326	£416	02327
SB End Panel	£120	02312	£164	02313
Screen QSS-2	£334	02347	£334	02347
Set (bath, screen, front panel)	£1,061	-	£1,519	-

**FREE**  
Shower screen  
with  
Carronite Set  
SEE P128



<b>FEATURES:</b>	<b>C</b> Carronite <b>P</b> Panel
<b>CAPACITY:</b>	265 Litres
<b>WHIRLPOOL:</b>	N/A
<b>KIT REF:</b>	Standard - AK-05 Carronite - AK-05-C
<b>SIZES:</b>	1500x700-850, 1600x700-850, 1700x700-850

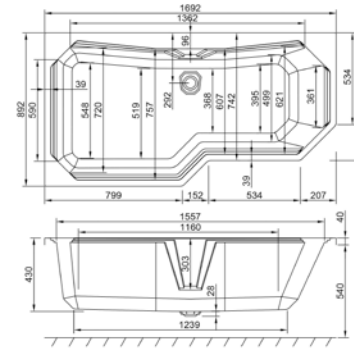
Left hand and right hand baths available.  
Left hand bath shown.

## Highgate

Length. **1700mm** | Width. **750-900mm** | Height. **540mm**

	Carronite	Code
<b>Highgate Showerbath (LH)</b>	<b>£1,343</b>	<b>02538</b>
<b>Highgate Showerbath (RH)</b>	<b>£1,343</b>	<b>02539</b>
L-Shaped Showerbath Panel	£532	02540
Showerbath Screen with Etching, HGSBL-1 (LH)	£378	02581
Showerbath Screen with Etching, HGSBR-1 (RH)	£378	02582
Set (Bath, Screen, Front Panel)	£2,253	-

**FREE**  
Shower screen  
with  
Carronite Set  
SEE P128



<b>FEATURES:</b>	<b>C</b> Carronite <b>P</b> Panel
<b>CAPACITY:</b>	272 Litres
<b>WHIRLPOOL:</b>	N/A
<b>KIT REF:</b>	Carronite - AK-05-C
<b>SIZES:</b>	1700x750-900

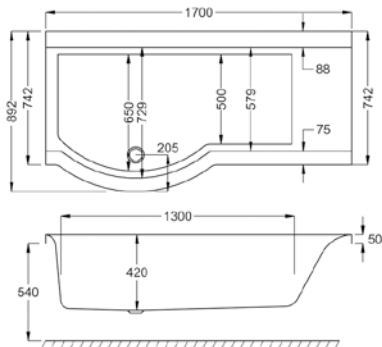
Left hand and right hand baths available.  
Left hand bath shown.

## Urban

Length. **1700mm** | Width. **750-900mm** | Height. **540mm**

	5mm	Code	Carronite	Code
<b>Urban Showerbath (LH)</b>	<b>£770</b>	<b>02369</b>	<b>£1,214</b>	<b>02370</b>
<b>Urban Showerbath (RH)</b>	<b>£770</b>	<b>02371</b>	<b>£1,214</b>	<b>02372</b>
L-Shaped Showerbath Panel	-	-	£559	02506
Urban 1700 SB Front Panel	£253	02375	£403	02376
Screen CSS-4	£314	02380	£314	02380
Screen wrap round	£962	02379	£962	02379
Set 1 (Bath, Screen, Front Panel)	£1,337	-	£1,931	-
Set 2 (Bath, Wrap Round Screen, Front Panel)	£1,985	-	£2,579	-

**FREE**  
Shower screen  
with  
Carronite Set  
SEE P128



**FEATURES:** **C** Carronite **P** Panel  
**W** Whirlpool

**CAPACITY:** 260 Litres

**WHIRLPOOL:** Systems ① ② ③ ④ ⑤ ⑥

**KIT REF:** Standard - AK-05  
Carronite - AK-05-C

**SIZES:** 1700x750-900

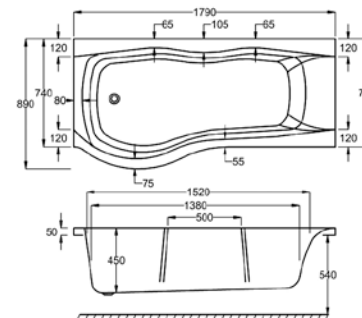
Left hand and right hand baths available.  
Left hand bath shown.

## Sigma

Length. **1800mm** | Width. **750-900mm** | Height. **540mm**

	5mm	Code	Carronite	Code
<b>Sigma Showerbath (LH)</b>	<b>£1,129</b>	<b>02471</b>	<b>£1,621</b>	<b>02473</b>
<b>Sigma Showerbath (RH)</b>	<b>£1,129</b>	<b>02472</b>	<b>£1,621</b>	<b>02474</b>
Sigma 1800 SB Panel	£208	02514	£374	02515
SB End Panel	£120	02385	£164	02383
Screen CSS-2	£309	02350	£309	02350
Set (Bath, Screen, Front Panel)	£1,646	-	£2,304	-

**FREE**  
Shower screen  
with  
Carronite Set  
SEE P128



**FEATURES:** **C** Carronite **P** Panel  
**W** Whirlpool

**CAPACITY:** 265 Litres

**WHIRLPOOL:** Systems ① ② ③ ④ ⑤ ⑥

**KIT REF:** Standard - AK-05  
Carronite - AK-05-C

**SIZES:** 1800x750-900

Left hand and right hand baths available.  
Left hand bath shown.

---

# Freestanding Baths

---

Opulent, stylish, yet still practical, Carron Freestanding baths make the right statement in any luxury setting. If you value high quality manufacturing, you will value Carron Freestanding baths.

---

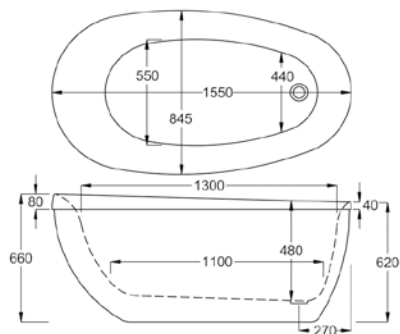


## Paradigm

Length. **1550mm** | Width. **850mm** | Height. **620-680mm**

	Carronite	Code
<b>Paradigm</b> (inc waste/overflow)	<b>£1,776</b>	<b>02132</b>
<b>Paradigm</b> (with filler)	<b>£1,956</b>	<b>02132+</b>

Also available as a ColourMatch option, see page 158 for more details.



**FEATURES:** Carronite

**CAPACITY:** 238 Litres

**WHIRLPOOL:** N/A

**KIT REF:** N/A

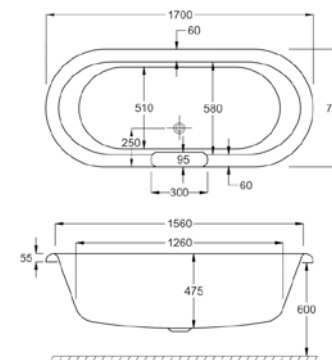
**SIZES:** 1550x850

## Ascoli

Length. **1700mm** | Width. **750mm** | Height. **655mm**

	5mm	Code	Carronite	Code
<b>Ascoli</b>	<b>£1,269</b>	<b>02024</b>	-	-
Chrome Feet	£475	02022	-	-
<b>Inset option Ascoli inset</b>	<b>£710</b>	<b>02498</b>	<b>£1,162</b>	<b>02498C</b>

Also available as a ColourMatch option, see page 158 for more details.



**FEATURES:** Carronite

**CAPACITY:** 247 Litres

**WHIRLPOOL:** N/A

**KIT REF:** Carronite - AK-03-C

**SIZES:** 1700x750

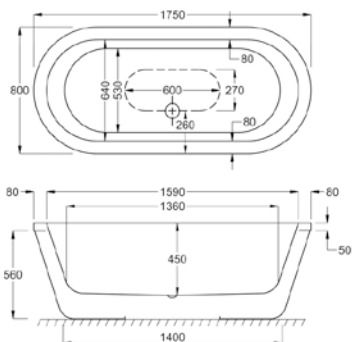


## Halcyon Oval

Length. **1750mm** | Width. **800mm** | Height. **610mm**

	5mm	Code	Carronite	Code
<b>Halcyon Oval - White</b> (includes overflow only)			<b>£1,776</b>	<b>02102</b>
<b>Halcyon Oval - White</b> (includes filler)			<b>£1,946</b>	<b>02102+</b>
<b>Halcyon Oval - Black</b> (includes overflow only)			<b>£1,776</b>	<b>02104</b>
<b>Halcyon Oval - Black</b> (includes filler)			<b>£1,946</b>	<b>02104+</b>
<b>Halcyon Oval - Red</b> (includes overflow only)			<b>£1,776</b>	<b>02103</b>
<b>Halcyon Oval - Red</b> (includes filler)			<b>£1,946</b>	<b>02103+</b>
<b>Inset option Halcyon OVAL inset</b>	<b>£634</b>	<b>02100</b>	<b>£1,076</b>	<b>02101</b>

Also available as a ColourMatch option, see page 158 for more details.



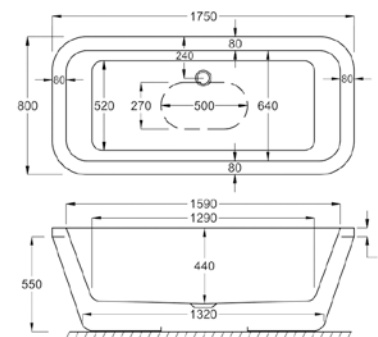
<b>FEATURES:</b>	● Carronite
<b>CAPACITY:</b>	270 Litres
<b>WHIRLPOOL:</b>	N/A
<b>KIT REF:</b>	Carronite - AK-03-C
<b>SIZES:</b>	1750x800

## Halcyon Square

Length. **1750mm** | Width. **800mm** | Height. **600mm**

	5mm	Code	Carronite	Code
<b>Halcyon square - white</b> (includes overflow only)			<b>£1,776</b>	<b>02105</b>
<b>Halcyon square - white</b> (includes filler)			<b>£1,946</b>	<b>02105+</b>
<b>Halcyon square - Black</b> (includes overflow only)			<b>£1,776</b>	<b>02561</b>
<b>Halcyon square - Black</b> (includes filler)			<b>£1,946</b>	<b>02561+</b>
<b>Halcyon square - Red</b> (includes overflow only)			<b>£1,776</b>	<b>02562</b>
<b>Halcyon square - Red</b> (includes filler)			<b>£1,946</b>	<b>02562+</b>
<b>Inset option Halcyon SQUARE Inset</b>	<b>£634</b>	<b>02487</b>	<b>£1,076</b>	<b>02488</b>

Also available as a ColourMatch option, see page 158 for more details.

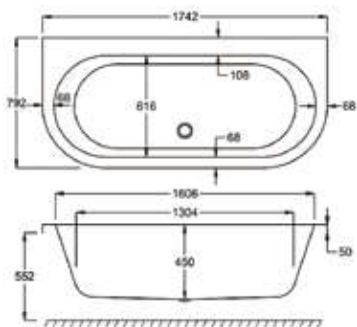


<b>FEATURES:</b>	● Carronite
<b>CAPACITY:</b>	286 Litres
<b>WHIRLPOOL:</b>	N/A
<b>KIT REF:</b>	Carronite - AK-03-C
<b>SIZES:</b>	1750x800

## Halcyon D

Length. **1750mm** | Width. **800mm** | Height. **602mm**

	5mm	Code	Carronite	Code
<b>Halcyon D</b>	<b>£634</b>	<b>02416</b>	<b>£1,076</b>	<b>02417</b>
Halcyon D One-Piece Panel (WHITE)			£559	02436
Halcyon D One-Piece Panel (GRANITE / COLOUR MATCH)*			£670	02453



<b>FEATURES:</b>	<b>C</b> Carronite <b>P</b> Panel
<b>CAPACITY:</b>	253 Litres
<b>WHIRLPOOL:</b>	N/A
<b>KIT REF:</b>	Standard - AK-01 Carronite - AK-01-C
<b>SIZES:</b>	1750x800

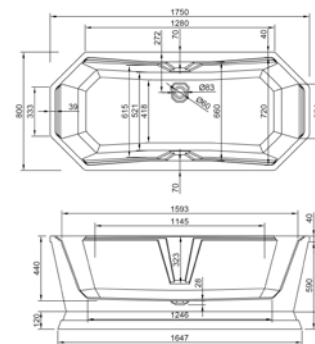
\* For colour match panel please contact your supplier.

## Highgate

Length. **1750mm** | Width. **800mm** | Height. **630mm**

	Carronite	Code
<b>Highgate freestanding - White</b>	<b>£2,159</b>	<b>02541</b>
<b>Highgate freestanding - Colour</b> (centre panel)	<b>£3,271</b>	<b>02542</b>

Also available as a ColourMatch option, see page 158 for more details.



<b>FEATURES:</b>	<b>C</b> Carronite
<b>CAPACITY:</b>	265 Litres
<b>WHIRLPOOL:</b>	N/A
<b>KIT REF:</b>	N/A
<b>SIZES:</b>	1750x800

\* For colour match panel please contact your supplier.

1800mm

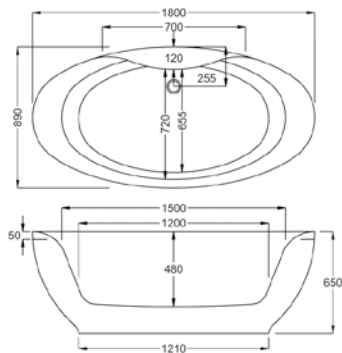
Freestanding Baths

## Elysee

Length. **1800mm** | Width. **900mm** | Height. **650mm**

	5mm	Code	Carronite	Code
<b>Elysee</b> (includes waste/overflow)	-	-	<b>£1,776</b>	<b>02086</b>
Optional Filler (Freestanding Version only) Overflow/Filler/Clicker Waste			£180	02086+
<b>Inset option Elysee inset</b>	<b>£740</b>	<b>02084</b>	<b>£1,211</b>	<b>02085</b>

Also available as a ColourMatch option, see page 158 for more details.



<b>FEATURES:</b>	<b>C</b> Carronite <b>W</b> Whirlpool
<b>CAPACITY:</b>	330 Litres
<b>WHIRLPOOL:</b>	Systems ① ② ③ ④ ⑤ ⑥ (inset only)
<b>KIT REF:</b>	N/A
<b>SIZES:</b>	1800x900

Freestanding Baths

1910mm

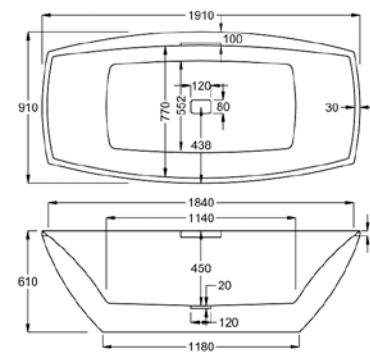
## Celsius

Length. **1910mm** | Width. **910mm** | Height. **610mm**

	Carronite	Code
<b>Celsius - White</b> (includes overflow/filler/clicker waste)*	<b>£2,159</b>	<b>02492</b>
<b>Celsius - Granite</b> (includes overflow/filler/clicker waste)*	<b>£3,271</b>	<b>02493</b>

\*Min 1.5 bar pressure required

Also available as a ColourMatch option, see page 158 for more details.



<b>FEATURES:</b>	<b>C</b> Carronite
<b>CAPACITY:</b>	330 Litres
<b>WHIRLPOOL:</b>	N/A
<b>KIT REF:</b>	N/A
<b>SIZES:</b>	1910x910

---

# ColourMatch

---

## The future is colour

Carron's ColourMatch concept is our solution to the ever changing design environment. So your clients will no longer be restricted to white for their freestanding baths.

Every bath is coloured to the client's specification based on a RAL classic colour reference. Providing a unique design statement while still meeting Carron's rigorous manufacturing standards.

---



ColourMatch



ColourMatch Infinity Base





## ColourMatch

With ColourMatch, your client can choose the colour of their freestanding bath base by simply matching a paint swatch or reference.

Bath Model	Size	Page	Carronite	Code
Paradigm	1550x850mm	148	£2,158	02132 CM
Ascoli (c/w Chrome Feet)	1700x750mm	149	£1,944	02024 CM
Halcyon Oval	1750x800mm	150	£2,159	02102 CM
Halcyon Square	1750x800mm	151	£2,159	02105 CM
Highgate Central Panel	1750x800mm	153	£3,271	02542 CM
Elysee	1800x900mm	154	£2,158	02086CM
Celsius Freestanding	1910x910mm	155	£3,271	02493 CM

**\*ColourMatch base available in any Ral classic colour.**

\*All prices include Filler/Waste/Overflow (excludes valve).

\*\*Ascoli does not include Filler/Waste/Overflow.

All Baths Carronite™ as standard. Allow 6 week lead time. Please contact Carron Bathrooms direct to discuss requirements before placing order for ColourMatch.

## ColourMatch Infinity Base

Our unique Infinity Base is designed to turn our most popular 1700x750 double ended models into a freestanding bath. Bringing together the flexibility of our standard rectangular range, the luxury of a freestanding bath and the added style statement of ColourMatch, all in one.

### C/W Coloured Base

Bath Model	Size	Page	Carronite	Code
Infinity Alpha	1700x750mm	68	£1,448	02700
Infinity Echelon	1700x750mm	73	£1,644	02702
Infinity Equation	1700x750mm	74	£1,448	02704
Infinity Equity	1700x750mm	75	£1,448	02706
Infinity Profile	1700x750mm	80	£1,448	02708
Infinity Quantum	1700x750mm	81	£1,448	02710

### C/W White Base

Bath Model	Size	Page	Carronite	Code
Infinity Alpha	1700x750mm	68	£1,231	02701
Infinity Echelon	1700x750mm	73	£1,427	02703
Infinity Equation	1700x750mm	74	£1,231	02705
Infinity Equity	1700x750mm	75	£1,231	02707
Infinity Profile	1700x750mm	80	£1,231	02709
Infinity Quantum	1700x750mm	81	£1,231	02711

**\*Infinity base available in any Ral classic colour.**

\*All prices include Filler/Waste/Overflow (excludes valve).

All Baths Carronite™ as standard. Allow 6 week lead time. Please contact Carron Bathrooms direct to discuss requirements before placing order for ColourMatch.

---

# Carron Editions

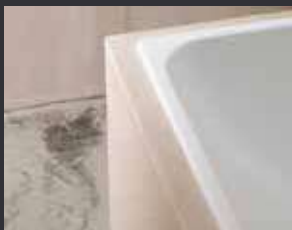
---

Carron Baths have always been designed to look good in the home and come with a range of practical benefits. We've built our name on conformance, service and reliability. Yet sometimes we want to innovate while also addressing the latest trends.

We want our customers to buy a bath that comes with all the Carron reliability, but we also want them to make an impact in their homes. To create something they can be proud of. Something with wow factor.

## This is Carron Editions.

---



Low Rim



Anthracite Accessories



## Carron Editions Collection

The Editions range covers innovative new bath finishes, design details for new models and existing Carron favourites, and a range of accessories that will impact any bathroom interior. To add an extra layer of luxury and reliability, Editions baths comes with Carronite as standard.

**\*All Editions models must be installed in a plinth setting.**

**No panels available.**

### Editions Gloss Finish & Low Rim

Bath Model	Size	Carronite	Code
Editions Sienna (Gloss)	1700x750mm	£1,049	02801
Editions Sienna (Gloss)	1800x800mm	£1,112	02802
Editions Profile (Gloss)	1700x750mm	£1,049	02805
Editions Profile (Gloss)	1750x750mm	£1,112	02806
Editions Echelon (Gloss) (c/w overflow filler)	1700x750mm	£1,154	02809
Editions Echelon (Gloss) (c/w overflow filler)	1800x800mm	£1,269	02810
Editions Quantum SE (Gloss)	1700x750mm	£1,049	02813
Editions Quantum SE (Gloss)	1800x800mm	£1,112	02814
Editions Quantum DE (Gloss)	1700x750mm	£1,049	02815
Editions Quantum DE (Gloss)	1800x800mm	£1,112	02816

#### Chrome Grips

Editions Quantum Integra (Gloss)	1700x750mm	£1,080	02817
Editions Quantum Integra (Gloss)	1800x800mm	£1,154	02818

#### Black Grips

Editions Quantum Integra (Gloss)	1700x750mm	£1,141	02819
Editions Quantum Integra (Gloss)	1800x800mm	£1,215	02820

#### + Low Rim

All Editions baths are Low Rim. A subtle feature that transforms a standard bath rim into a cutting-edge design statement.

#### + Matt Finish

These almost soft-feel baths bring a stylish look to compliment the comfortable bathing experience.

#### + Anthracite Accessories

A simple, stylish addition to your bath that makes a real impact.

### Editions Matt Finish & Low Rim

Bath Model	Size	Carronite	Code
Editions Sienna (Matt)	1700x750mm	£1,154	02803
Editions Sienna (Matt)	1800x800mm	£1,206	02804
Editions Profile (Matt)	1700x750mm	£1,154	02807
Editions Profile (Matt)	1750x750mm	£1,206	02808
Editions Echelon (Matt) (c/w overflow filler)	1700x750mm	£1,206	02811
Editions Echelon (Matt) (c/w overflow filler)	1800x800mm	£1,469	02812

### Editions Anthracite Accessories

Bath Model	Price
Anthracite Integra Handgrips	£60 per pair (extra)
Anthracite Celsius Waste & Overflow	£125 (extra)
Anthracite Celsius Filler, Waste & Overflow	£125 (extra)



Anthracite Integra Handgrips



Anthracite Celsius Waste & Overflow



Anthracite Celsius Filler, Waste & Overflow

---

# Corner Baths

---

Ideal where space and layout are an issue, our Corner bath range combines great design, practicality and comfort.

---

---



1550mm

Corner Baths

# Dove

Length. **1550mm** | Width. **950mm** | Height. **540mm**

	5mm	Code	Carronite	Code
<b>Dove (LH)</b>	<b>£804</b>	<b>02232</b>	<b>£1,088</b>	<b>02233</b>
<b>Dove (RH)</b>	<b>£804</b>	<b>02234</b>	<b>£1,088</b>	<b>02235</b>
Affinity 1550 Panel	£203	02262	£383	02263



DOVE

## Curved and compatible

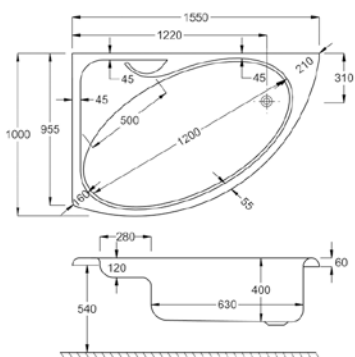
Looking for a flexible bath in a tight space? The Dove is the solution.

footprint, so squarer spaces are ideal for this corner bath.

Certain bathroom layouts can be challenging when choosing your bath. However, you shouldn't have to compromise on design to work with a challenging layout.

The Dove doesn't just need to be the solution to a layout problem. Its distinctive styling and bathing practicality provide a comfortable bathing experience and is ideal for families with small children.

The generous bathing capacity of the Dove sits within a tight, 1550x950mm



**FEATURES:** **C** Carronite **P** Panel **W** Whirlpool

**CAPACITY:** 190 Litres

**WHIRLPOOL:** Systems ① ④

**KIT REF:** Standard - AK-09  
Carronite - AK-09-C

**SIZES:** 1550x950

Left hand and right hand baths available.  
Right hand bath shown.

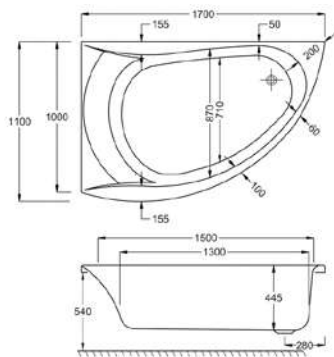
1700mm

Corner Baths

## Omega

Length. **1700mm** | Width. **1000mm** | Height. **540mm**

	5mm	Code	Carronite	Code
<b>Omega (LH)</b>	<b>£1,049</b>	<b>02238</b>	<b>£1,653</b>	<b>02239</b>
<b>Omega (RH)</b>	<b>£1,049</b>	<b>02240</b>	<b>£1,653</b>	<b>02241</b>
Affinity 1700 Panel	£203	02306	£383	02308



**FEATURES:** **C** Carronite **P** Panel  
**W** Whirlpool

**CAPACITY:** 255 Litres

**WHIRLPOOL:** Systems ① ② ③ ④ ⑤ ⑥

**KIT REF:** Standard - AK-05  
Carronite - AK-05-C

**SIZES:** 1700x1000

Left hand and right hand baths available.  
Right hand bath shown.

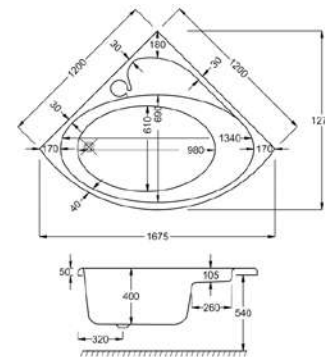
Corner Baths

1200mm

## Oriole

Length. **1200mm** | Width. **1200mm** | Height. **540mm**

	5mm	Code	Carronite	Code
<b>Oriole</b>	<b>£856</b>	<b>02242</b>	<b>£1,043</b>	<b>02243</b>
Affinity 1200 Panel	£203	02260	£383	02261



**FEATURES:** **C** Carronite **P** Panel

**CAPACITY:** 190 Litres

**WHIRLPOOL:** N/A

**KIT REF:** Standard - AK-09  
Carronite - AK-09-C

**SIZES:** 1550x950

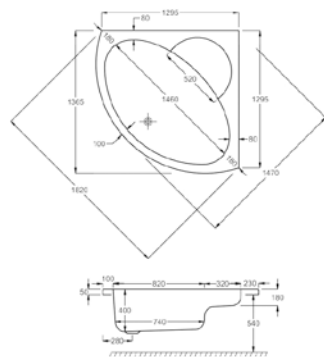
1300mm

Corner Baths

# Monarch

Length. **1300mm** | Width. **1300mm** | Height. **540mm**

	5mm	Code	Carronite	Code
<b>Monarch</b>	<b>£914</b>	<b>02236</b>	<b>£1,107</b>	<b>02237</b>
Affinity 1300 Panel	£203	02304	£383	02305



**FEATURES:** **C** Carronite **P** Panel  
**W** Whirlpool

**CAPACITY:** 235 Litres

**WHIRLPOOL:** Systems ① ④

**KIT REF:** Standard - AK-02  
Carronite - AK-02-C

**SIZES:** 1300x1300

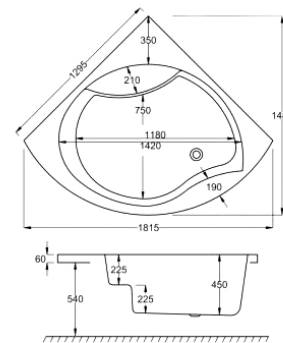
Corner Baths

1300mm

# Tranquility

Length. **1300mm** | Width. **1300mm** | Height. **540mm**

	5mm	Code	Carronite	Code
<b>Tranquility</b>	<b>£990</b>	<b>02244</b>	<b>£1,492</b>	<b>02245</b>
Affinity 1300 Panel	£203	02304	£383	02305



**FEATURES:** **C** Carronite **P** Panel  
**W** Whirlpool

**CAPACITY:** 295 Litres

**WHIRLPOOL:** Systems ① ② ③ ④ ⑤ ⑥

**KIT REF:** Standard - AK-08  
Carronite - AK-08-C

**SIZES:** 1300x1300



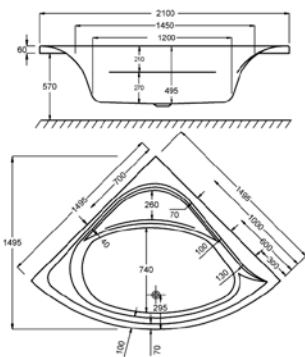
1500mm

Corner Baths

## Centennial

Length. **1500mm** | Width. **1500mm** | Height. **540mm**

	5mm	Code	Carronite	Code
<b>Centennial</b>	<b>£1,186</b>	<b>02230</b>	<b>£1,668</b>	<b>02231</b>
Centennial Panel	£203	02264	£383	02265



**FEATURES:** **C** Carronite **P** Panel  
**W** Whirlpool

**CAPACITY:** 407 Litres

**WHIRLPOOL:** Systems ① ② ③ ④ ⑤ ⑥

**KIT REF:** Standard - AK-07  
Carronite - AK-07-C

**SIZES:** 1500x1500

172

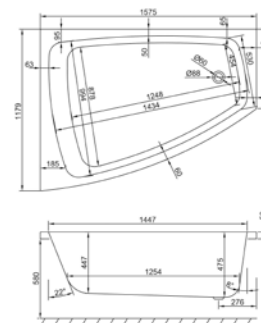
Corner Baths

1575mm

## Clipper

Length. **1575mm** | Width. **1200mm** | Height. **540mm**

	5mm	Code	Carronite	Code
<b>Clipper (LH)</b>	<b>£699</b>	<b>02476</b>	<b>£989</b>	<b>02475</b>
<b>Clipper (RH)</b>	<b>£699</b>	<b>02478</b>	<b>£989</b>	<b>02477</b>
Clipper L-Shaped Panel	-	-	£383	02479



**FEATURES:** **C** Carronite **P** Panel  
**W** Whirlpool

**CAPACITY:** 335 Litres

**WHIRLPOOL:** Systems ① ② ③ ④ ⑤ ⑥

**KIT REF:** Standard - AK-05  
Carronite - AK-05-C

**SIZES:** 1575x1200

Left hand and right hand baths available.  
Right hand bath shown.

173



---

# Celsius Range

---

---

As Carron's signature range, our Celsius baths never compromise on comfort and luxury while remaining stylish and bold. Available in Standard, Showerbath, Duo and Freestanding options.

---



1700mm

Celsius Baths

## Celsius 700

Length. **1700mm** | Width. **700mm** | Height. **540mm**

	Carronite	Code
<b>Celsius 700 (LH)</b> (includes overflow/filler)*	<b>£934</b>	<b>02406</b>
<b>Celsius 700 (RH)</b> (includes overflow/filler)*	<b>£934</b>	<b>02407</b>
L-Shaped Panel 700	£366	02569
1700 Front Panel	£195	02319
Screen CFS-1 (H=1400mm)	£360	02344
Screen CFS-2 (H=1500mm)	£385	02346
Optional Overflow/Clicker Waste	no charge	02534

\*Min 1.5 bar pressure required



Celsius Baths

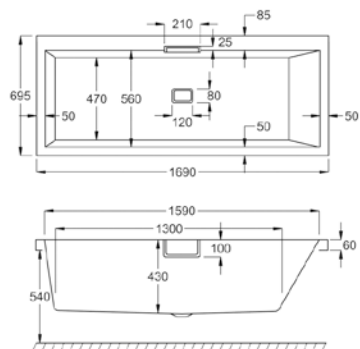
1700mm

## Celsius 750

Length. **1700mm** | Width. **750mm** | Height. **540mm**

	Carronite	Code
<b>Celsius 750 (LH)</b> (includes overflow/filler/clicker waste)*	<b>£1,103</b>	<b>02408</b>
<b>Celsius 750 (RH)</b> (includes overflow/filler/clicker waste)*	<b>£1,103</b>	<b>02409</b>
L-Shaped Panel 750	£366	02300
1700 Front Panel	£195	02319
Screen CFS-1 (H=1400mm)	£360	02344
Screen CFS-2 (H=1500mm)	£385	02346
Optional Overflow/Clicker Waste	no charge	02534

\*Min 1.5 bar pressure required



**FEATURES:** **C** Carronite **P** Panel  
**W** Whirlpool

**CAPACITY:** 265 Litres

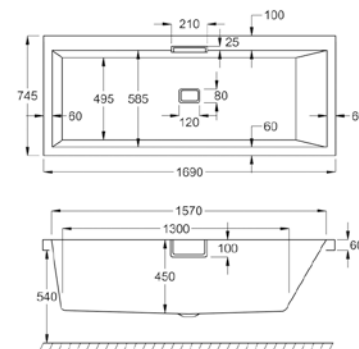
**WHIRLPOOL:** Systems ① ② ③ ④ ⑤ ⑥

**KIT REF:** Carronite - AK-01-C

**SIZES:** 1700x700

The Celsius bath comes with the uniquely designed overflow/filler included. Standard overflow/clicker available on request.

Left hand and right hand baths available.  
Right hand bath shown.



**FEATURES:** **C** Carronite **P** Panel  
**W** Whirlpool

**CAPACITY:** 275 Litres

**WHIRLPOOL:** Systems ① ② ③ ④ ⑤ ⑥

**KIT REF:** Carronite - AK-01-C

**SIZES:** 1700x750

The Celsius bath comes with the uniquely designed overflow/filler included. Standard overflow/clicker available on request.

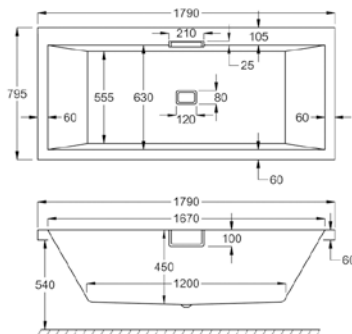
Left hand and right hand baths available.  
Right hand bath shown.

## Celsius 1800

Length. **1800mm** | Width. **800mm** | Height. **540mm**

	Carronite	Code
<b>Celsius 1800</b> (includes overflow/filler/clicker waste)*	<b>£1,451</b>	<b>02410</b>
L-Shaped Panel 1800	£366	02301
1800 Front Panel	£203	02323
Screen CFS-1 (H=1400mm)	£360	02344
Screen CFS-2 (H=1500mm)	£385	02346
Optional Overflow/Clicker Waste	no charge	02534

\*Min 1.5 bar pressure required



**FEATURES:** **C** Carronite **P** Panel  
**W** Whirlpool

**CAPACITY:** 300 Litres

**WHIRLPOOL:** Systems ① ② ③ ④ ⑤ ⑥

**KIT REF:** Carronite - AK-03-C

**SIZES:** 1800x800

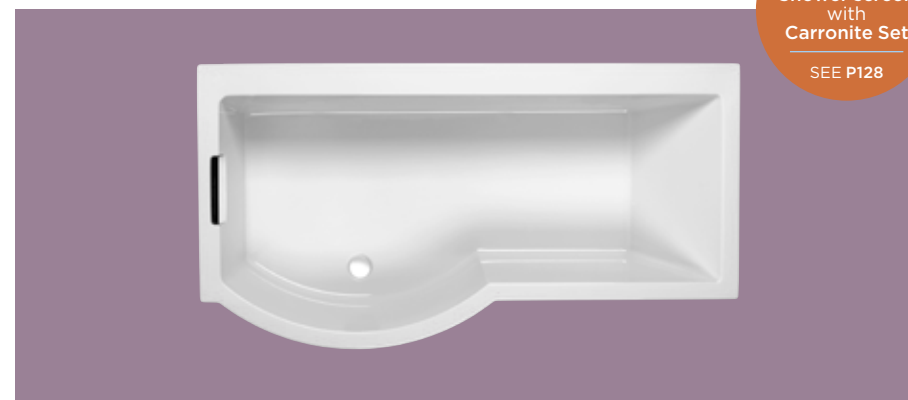
The Celsius bath comes with the uniquely designed overflow/filler included. Standard overflow/clicker available on request.

## Celsius Showerbath

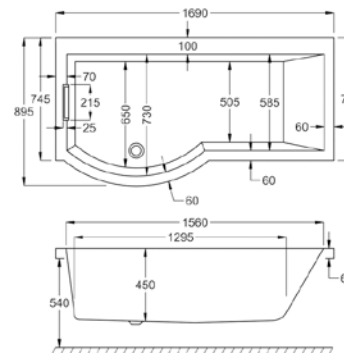
Length. **1700mm** | Width. **750-900mm** | Height. **540mm**

	5mm	Code	Carronite	Code
<b>Celsius Showerbath (LH)</b> (includes overflow/filler/clicker waste)*	<b>£1,372</b>		<b>02412</b>	
<b>Celsius Showerbath (RH)</b> (includes overflow/filler/clicker waste)*	<b>£1,372</b>		<b>02413</b>	
L-Shaped Showerbath panel	£559		02506	
Showerbath Front Panel	£403		02376	
Screen CSS-4	£314		02380	
Screen "Wrap round"	£962		02379	
Optional Overflow/Clicker Waste	no charge		02534	

\*Min 1.5 bar pressure required



**FREE**  
Shower screen  
with  
Carronite Set  
SEE P128



**FEATURES:** **C** Carronite **P** Panel  
**W** Whirlpool

**CAPACITY:** 305 Litres

**WHIRLPOOL:** Systems ① ② ③ ④ ⑤ ⑥

**KIT REF:** Carronite - AK-05-C

**SIZES:** 1700x750-900

The Celsius bath comes with the uniquely designed overflow/filler included. Standard overflow/clicker available on request.

Left hand and right hand baths available.  
Left hand bath shown.

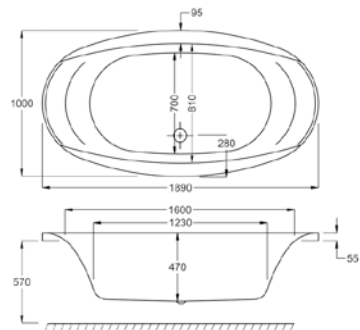
1900mm

Celsius Baths

## Celsius Oval

Length. **1900mm** | Width. **1000mm** | Height. **570mm**

	Carronite	Code
<b>Celsius Oval</b>	<b>£1,710</b>	<b>02494</b>
Front Oval Panel (for semi-inset installation)	<b>£611</b>	<b>02497</b>



**FEATURES:** **C** Carronite **W** Whirlpool

**CAPACITY:** 320 Litres

**WHIRLPOOL:** Systems ①②③④⑤⑥

**KIT REF:** Carronite – AK-03-C

**SIZES:** 1900x1000

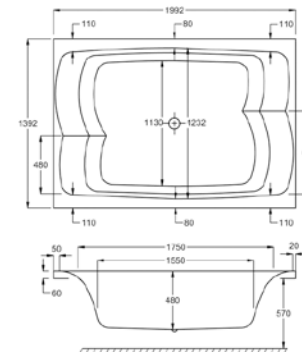
Celsius Baths

2000mm

## Celsius Duo

Length. **2000mm** | Width. **1400mm** | Height. **570mm**

	Carronite	Code
<b>Celsius Duo</b>	<b>£3,302</b>	<b>02411</b>



**FEATURES:** **C** Carronite **W** Whirlpool

**CAPACITY:** 560 Litres

**WHIRLPOOL:** Systems ①②③④  
Extended Systems.  
Please ask for more information.

**KIT REF:** Carronite – AK-01-C x 2

**SIZES:** 1900x1000

Extended waste / overflow fittings required for the Celsius Duo bath.

---

# Panels, Screens & Accessories

---

**When buying a Carron bath, it is just as important to ensure that your accessories are up to the job. Designed and manufactured specifically to fit perfectly with the Carron range all our panels, screens, grips and headrests guarantee a perfect fit and an easy install.**

---

## Screens

---

All Carron showerbaths have a custom designed screen available. The Quantum Showerbath has a unique screen while the more traditional P-shaped showerbaths in the Carron range have the option of a curved screen or a fully enclosed wrap round screen. Giving more definition to the shower area.

Standard flat screens come in two size and shape options, produced to match Carron's high standard of manufacturing.

---

### Shower screen options

Carron standard flat screens come in two heights with either a square or curved profile.

CFS-1 Screen (H=1400mm)  
**£360** 02344



CFS-2 Screen (H=1500mm)  
**£385** 02346



## Panels

We offer a range of panels to complete the look of your chosen bath. One piece L-Shaped panels provide the ideal solution, ensuring a flawless finish and removing any unsightly joins between front and end panels. Where an L-Shaped Panel is not suitable, standard front and end panels are also available.

All front and end panels can be purchased in standard or Carronite finishes.

### L-Shaped Panels

Length x Width	Height	Carronite	Code
1500 x 700	430	£366	02499
1500 x 700	515	£366	02502
1600 x 700	430	£366	02500
1600 x 700	515	£366	02503
1600 x 800	540	£366	02567
1650 x 700	430	£366	02597
1650 x 700	515	£366	02531
1675 x 700	515	£366	02568
1700 x 700	430	£366	02501
1700 x 700	515	£366	02299
1700 x 700	540	£366	02569
1700 x 725	540	£366	02570
1700 x 750	540	£366	02300
1700 x 800	540	£366	02489
1750 x 750	540	£366	02607
1800 x 700	540	£366	02311
1800 x 725	540	£366	02608
1800 x 800	540	£366	02301

### Front Panels

Length	Height	STD	Code	Carronite	Code
1400	515	£128	02280	£186	02266
1500	430	£128	02252	£186	02253
1500	515	£128	02315	£186	02314
1600	430	£128	02254	£186	02255
1600	515	£128	02316	£186	02317
1600	540	£144	02281	£195	02267
1650	430	£128	02598	£186	02599
1650	515	£128	02282	£186	02268
1675	515	£128	02283	£186	02269
1700	430	£128	02256	£186	02257
1700	515	£128	02320	£186	02321
1700	540	£144	02318	£195	02319
1750	540	£144	02601	£195	02602
1800	540	£153	02322	£203	02323
1900	570	£153	02284	£203	02270

### End Panels

	Height	STD	Code	Carronite	Code
700	430	£102	02258	£135	02259
700	515	£102	02285	£135	02271
700	540	£102	02286	£135	02272
725	540	£102	02287	£135	02307
750	515	£102	02288	£135	02274
750	540	£102	02289	£135	02275
800	540	£102	02291	£135	02277
900	540	£113	02293	£148	02278
900	570	£113	02294	£148	02279

## Screens

Screen Range	Height	RRP (Ex VAT)	code
CFS-1	1400mm	£360	02344
CFS-2	1500mm	£385	02346
QSS-1 (fixed I-profile)	1400mm	£334	02347+
QSS-2	1400mm	£334	02347
CSS-1	1400mm	£314	02343
CSS-2	1400mm	£309	02350
CSS-4	1400mm	£314	02380

## Headrests

Headrests	Compatible	RRP (Ex VAT)
HR600	Haiku, Linea	£136
HR700	Haiku	£136
HR800	Alpha/Aspect/Axis/Delta/ Imperial/Index/Sigma	£136
HR900	Agenda/Halcyon Square/ Quantum/Celsius 700	£136

HR600 Headrest



HR800 Headrest







# Get in touch

If you need more information on a specific product, a recent purchase or would like to learn more about Carron Bathrooms and our products and services, please call us on +44 (0)1324 638 407.

**When placing an order, please use both the product code and description.**

## Address.

Carron Bathrooms, North Carron Works  
Stenhouse Rd, Falkirk FK2 8UW  
Scotland, United Kingdom

**Tel.** +44 (0)1324 638 407

**Fax.** +44 (0)1324 611 490

**Email.** [info@carronbathrooms.com](mailto:info@carronbathrooms.com)

**Follow.** [facebook/carronbathrooms](https://www.facebook.com/carronbathrooms)



Cert No. 13938

Please note: All dimensions shown in this document are nominal and approximate. Full technical drawings are available from your retailer or [www.carronbathrooms.com](http://www.carronbathrooms.com) Carron Bathrooms' policy is one of continuous product improvement. We therefore reserve the right to change specifications, designs and costings without notice. All contents of this brochure © Carron Bathrooms Limited. December 2022 - E & OE. For the full range of Carron products please visit our website. Design: [sevenfivecreative.com](http://sevenfivecreative.com)

**ALL PRICES EXCLUSIVE OF VAT.**

**[www.carronbathrooms.com](http://www.carronbathrooms.com)**